

Phone: 800-933-6779

Fax: 205-663-3221

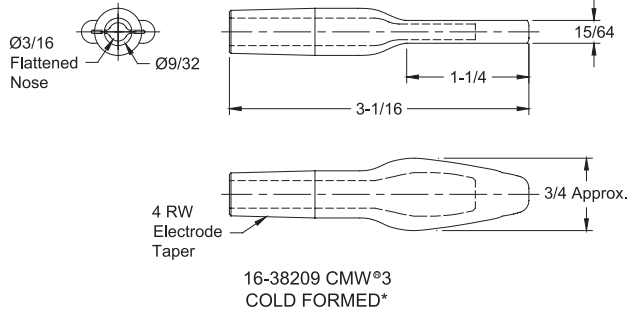
Email: sales@nsrw.com

## SPADE ELECTRODES

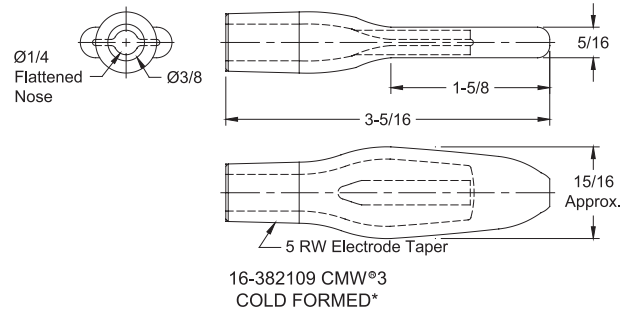
- See page 6 for  
Metric Conversions  
- See page 7 for  
Taper Dimensions



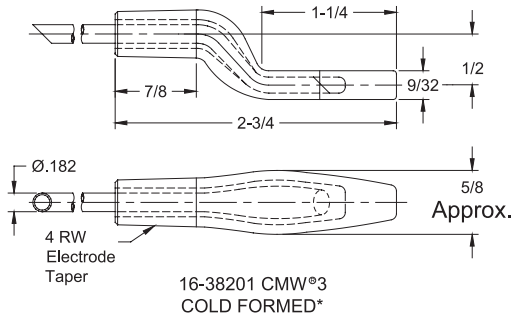
Bent Dimensions for Reference Only



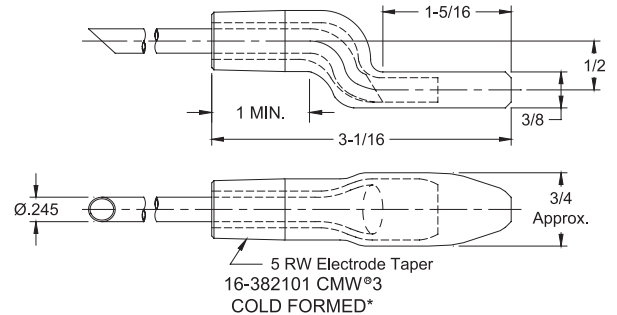
Bent Dimensions for Reference Only



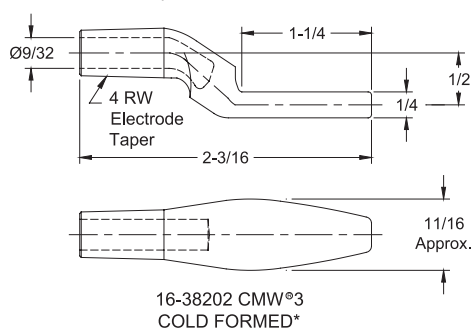
Bent Dimensions for Reference Only



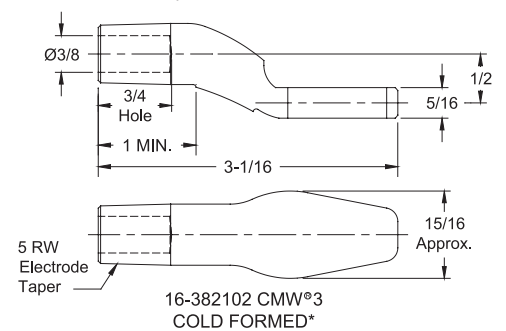
Bent Dimensions for Reference Only



Bent Dimensions for Reference Only



Bent Dimensions for Reference Only



\*Optional material available on special order: CMW<sup>®</sup>28 & CMW<sup>®</sup>100