

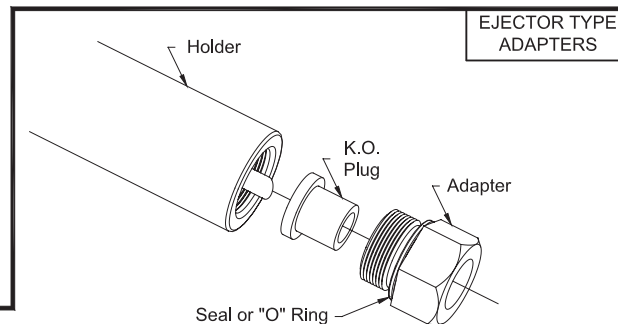
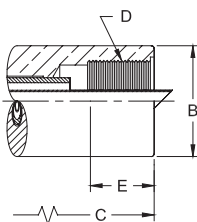
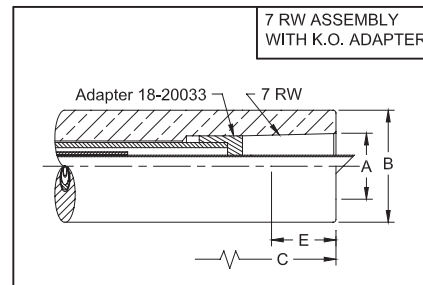
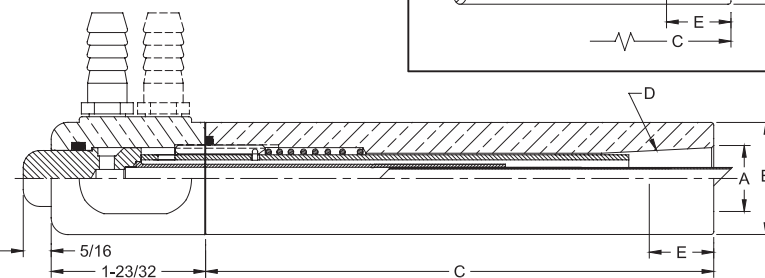
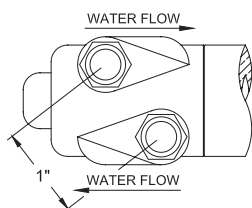
200 SERIES (EJECTOR) WATER COOLED ELECTRODE HOLDER

200 SERIES TAPERED HOLDER					
Part No. Holder Assy.	Major Taper Dia. A	Barrel Dia. B	Barrel Length C	RW Taper D	Engagement With Std. Elect. E
18-201	.463	3/4	3	4 RW	1/2
18-202		7/8			
18-203		1			
18-204		1-1/4			
18-206	.625	1	5 RW	3/4	3/4
18-207		1-1/4			
18-208		1-1/2			
18-211	.463	3/4	8	4 RW	1/2
18-212		7/8			
18-213		1			
18-214		1-1/4			
18-216	.625	1	5 RW	3/4	3/4
18-217		1-1/4			
18-218		1-1/2			
18-219*	.875	1-1/4	7 RW	1-1/8	1-1/8
18-220*		1-1/2			
18-231	.463	3/4	12	4 RW	1/2
18-232		7/8			
18-233		1			
18-234		1-1/4			
18-236	.625	1	5 RW	3/4	3/4
18-237		1-1/4			
18-238		1-1/2			
18-236-18	.625	1	18	5 RW	3/4
18-237-18		1-1/4			
18-238-18		1-1/2			

*Must use knockout adapter 18-20033

200 SERIES THREADED HOLDER				
Part No. Holder Assy.	Barrel Dia. B	Barrel Length C	Thread Size D	Engagement With Std. Elect. E
18-272	1	8	7/8-14	9/16
18-273	1-1/4			
18-274	1-1/2			
18-275	1-1/4	1-14	1-14	3/4
18-276	1-1/2			

200 Series Threaded Holder can use Male Threaded to Female Taper Universal Adapters on page 46.

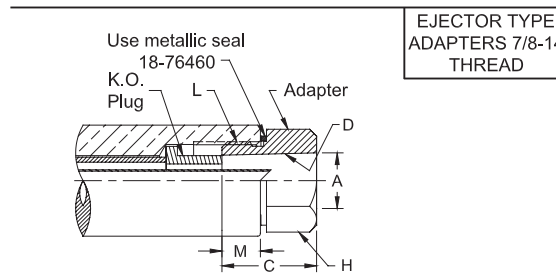


EJECTOR TYPE ADAPTERS

EJECTOR TYPE ADAPTERS 7/8-14 THREAD								
Adapter Part No.	Male Thd. Size L	Female Taper		Length Under Hd. M	Hex. Over Flats H	Overall Length C	Sealing Ring Part No.	K.O. Plug Part No.
		Size D	Major Dia. A					
18-7702	7/8-14	4 RW	.463	5/8	1	13/16	18-76460	18-78501
18-7712	7/8-14	5 RW	.625	1/2	1	1-1/16	18-76460	18-7712-3

Use with Threaded Ejector Holder to make Replaceable Taper Holders

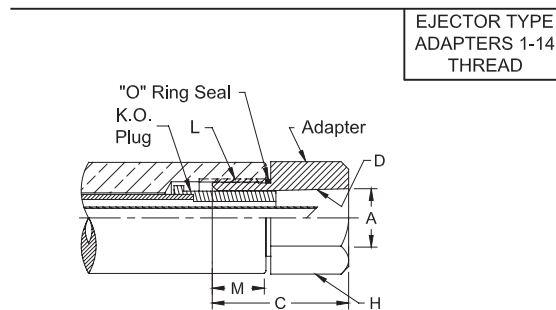
Part No.	Female Thd. Size	Barrel Dia.
18-272	7/8-14	1
18-273	7/8-14	1-1/4
18-274	7/8-14	1-1/2



EJECTOR TYPE ADAPTERS 1-14 THREAD								
Adapter Part No.	Male Thd. Size L	Female Taper		Length Under Hd. M	Hex. Over Flats H	Overall Length C	Sealing Ring Part No.	K.O. Plug Part No.
		Size D	Major Dia. A					
18-7852	1-14	4 RW	.463	9/16	1-1/4	13/16	18-10060-17	18-78501
18-7862	1-14	5 RW	.625	7/16	1-1/4	1-1/16	18-10060-17	18-7712-3
18-7864	1-14	6 RW	.750	3/4	1-1/4	1-3/4	18-10060-17	18-78650
18-7872	1-14	7 RW	.875	3/4	1-1/4	2-1/8	18-10060-17	18-78701

Use with Threaded Ejector Holder to make Replaceable Taper Holders

Part No.	Female Thd. Size	Barrel Dia.
18-275	1-14	1-1/4
18-276	1-14	1-1/2



200 SERIES (EJECTOR) REPLACEMENT PARTS

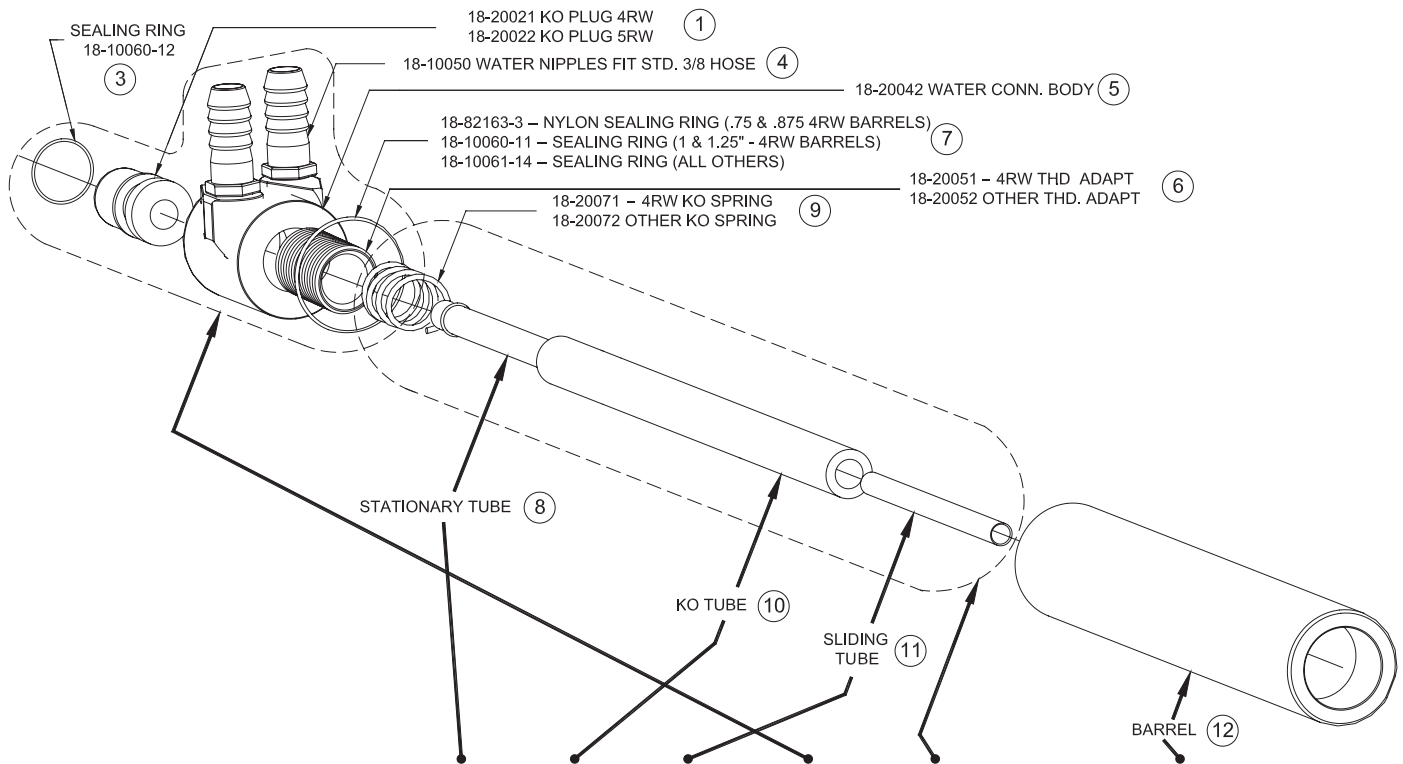


Phone: 800-933-6779

Fax: 205-663-3221

Email: sales@nsrw.com

200 SERIES (EJECTOR) WATER COOLED ELECTRODE HOLDER



Part No. Holder Assy.	Thread Or Taper	Barrel Length	Stationary Tube	K.O. Tube	Sliding Tube	Water Conn. HD. Sub-Assy. Include Parts: 1 3 4 5 6 7	K.O. Tube Sub-Assy Include Parts: 8 9 10 11	Barrel Diameter	Barrel
18-201 18-202 18-203 18-204	4 RW	3	18-10044-3	18-20031-3	18-10046-3	18-20091	18-20095-3	3/4 7/8 1 1-1/4	18-11110-3 18-11210-3 18-11310-3 18-11410-3
18-206 18-207 18-208	5 RW	3	18-10045-3	18-20032-3	18-10047-3	18-20092	18-20096-3	1 1-1/4 1-1/2	18-11610-3 18-11210-3 18-11810-3
18-211 18-212 18-213 18-214	4 RW	8	18-10044-8	18-20031-8	18-10046-8	18-20091	18-20095-8	3/4 7/8 1 1-1/4	18-11110-8 18-11210-8 18-11310-8 18-11410-8
18-216 18-217 18-218	5 RW	8	18-10045-8	18-20032-8	18-10047-8	18-20092	18-20096-8	1 1-1/4 1-1/2	18-11610-8 18-11710-8 18-11810-8
18-219* 18-220*	7 RW	8	18-10045-8	18-20032-58 & 18-20033*	18-10047-8	18-20092	18-20096-58	1-1/4 1-1/2	18-11910-8 18-12010-8
18-231 18-232 18-233 18-234	4 RW	12	18-10044-12	18-20031-12	18-10046-8	18-20091	18-20095-12	3/4 7/8 1 1-1/4	18-11110-12 18-11210-12 18-11310-12 18-11410-12
18-236 18-237 18-238	5 RW	12	18-10045-12	18-20032-12	18-10047-8	18-20092	18-20096-12	1 1-1/4 1-1/2	18-11610-12 18-11710-12 18-11810-12
18-236-18 18-237-18 18-238-18	5 RW	18	18-10045-12	18-20032-18	18-10047-29	18-20092	18-20096-18	1 1-1/4 1-1/2	18-11610-18 18-11710-18 18-11810-18
18-272 18-273 18-274	7/8-14	8	18-10045-8	18-20032-8	18-10047-8	18-20092	18-20096-8	1 1-1/4 1-1/2	18-17210-8 18-17310-8 18-17410-8
18-275 18-276	1-14	8	18-10045-8	18-20032-8	18-10047-8	18-20092	18-20096-8	1-1/4 1-1/2	18-17510-8 18-17610-8

*Must use knockout adapter 18-20033

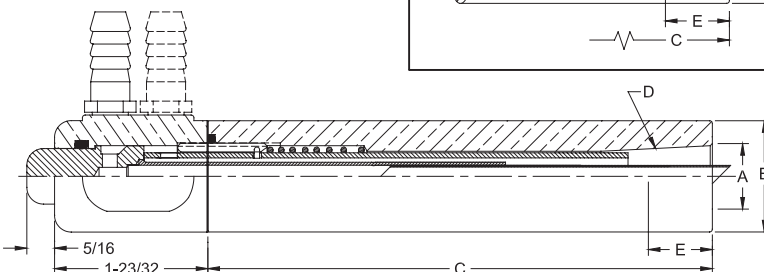
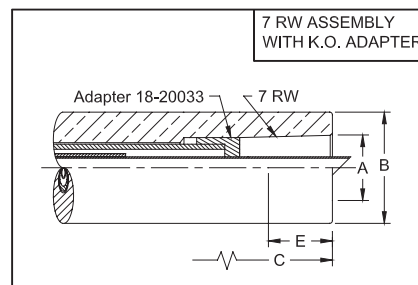
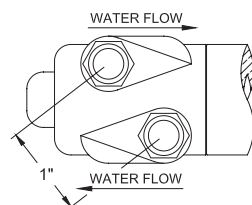
300 SERIES PREMIUM (EJECTOR) WATER COOLED ELECTRODE HOLDER

CMW Premium holder barrels are made from high strength CMW[®]3 material, centerless ground within .002" tolerance on diameter and nickel plated to resist wear and assure uniform contact resistance of a low magnitude



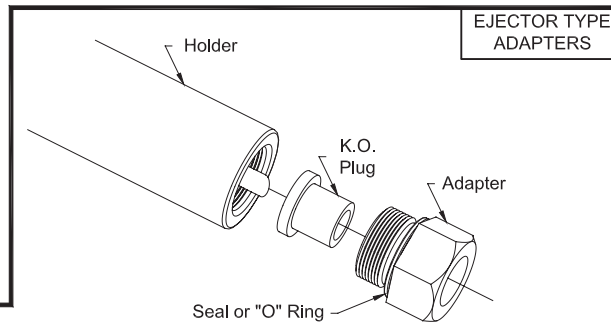
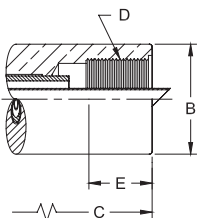
300 SERIES TAPERED HOLDER					
Part No. Holder Assy.	Major Taper Dia. A	Barrel Dia. B	Barrel Length C	RW Taper D	Engagement With Std. Elect. E
18-317 18-318	.625	1-1/4 1-1/2	8	5 RW	3/4
18-319* 18-320*	.875	1-1/4 1-1/2		7 RW	1-1/8
18-337 18-338	.625	1-1/4 1-1/2	12	5 RW	3/4
18-339* 18-340*	.875	1-1/4 1-1/2		7 RW	1-1/8

*Must use knockout adapter 18-20033



300 SERIES THREADED HOLDER				
Part No. Holder Assy.	Barrel Dia. B	Barrel Length C	Thread Size D	Engagement With Std. Elect. E
18-372 18-373	1 1-1/4	8	7/8-14	9/16
18-375 18-376	1-1/4 1-1/2		1-14	3/4

300 Series Threaded Holder can use Male Threaded to Female Taper Universal Adapters on page 46.



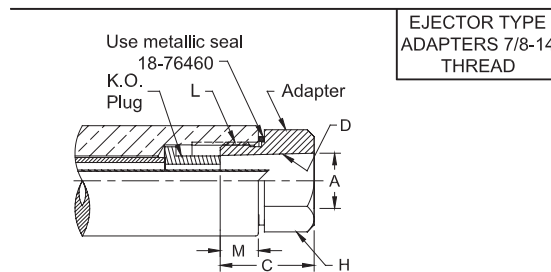
Note: These threaded holder barrels are the same as on 600 series holders on page 44.

EJECTOR TYPE ADAPTERS

EJECTOR TYPE ADAPTERS 7/8-14 THREAD									
Adapter Part No.	Male Thd. Size L	Female Taper		Length Under Hd. M	Hex. Over Flats H		Overall Length C	Sealing Ring Part No.	K.O. Plug Part No.
		Size D	Major Dia.		Flats	Flats			
18-7702	7/8-14	4 RW	.463	5/8	1	13/16	18-76460	18-78501	
18-7712	7/8-14	5 RW	.625	1/2	1	1-1/16	18-76460	18-7712-3	

Use with Threaded Ejector Holder to make Replaceable Taper Holders

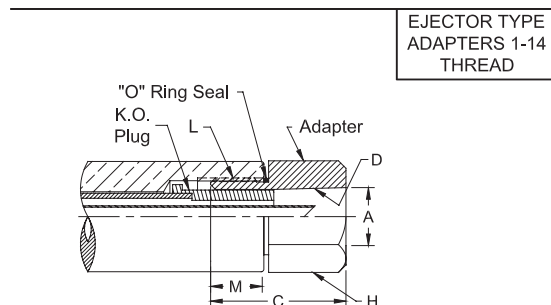
Part No.	Female Thd. Size	Barrel Dia.
18-372	7/8-14	1
18-373	7/8-14	1-1/4



EJECTOR TYPE ADAPTERS 1-14 THREAD									
Adapter Part No.	Male Thd. Size L	Female Taper		Length Under Hd. M	Hex. Over Flats H		Overall Length C	Sealing Ring Part No.	K.O. Plug Part No.
		Size D	Major Dia.		Flats	Flats			
18-7852	1-14	4 RW	.463	9/16	1-1/4	13/16	18-10060-17	18-78501	
18-7862	1-14	5 RW	.625	7/16	1-1/4	1-1/16	18-10060-17	18-7712-3	
18-7864	1-14	6 RW	.750	3/4	1-1/4	1-3/4	18-10060-17	18-78650	
18-7872	1-14	7 RW	.875	3/4	1-1/4	2-1/8	18-10060-17	18-78701	

Use with Threaded Ejector Holder to make Replaceable Taper Holders

Part No.	Female Thd. Size	Barrel Dia.
18-375	1-14	1-1/4
18-376	1-14	1-1/2



300 SERIES PREMIUM (EJECTOR) REPLACEMENT PARTS

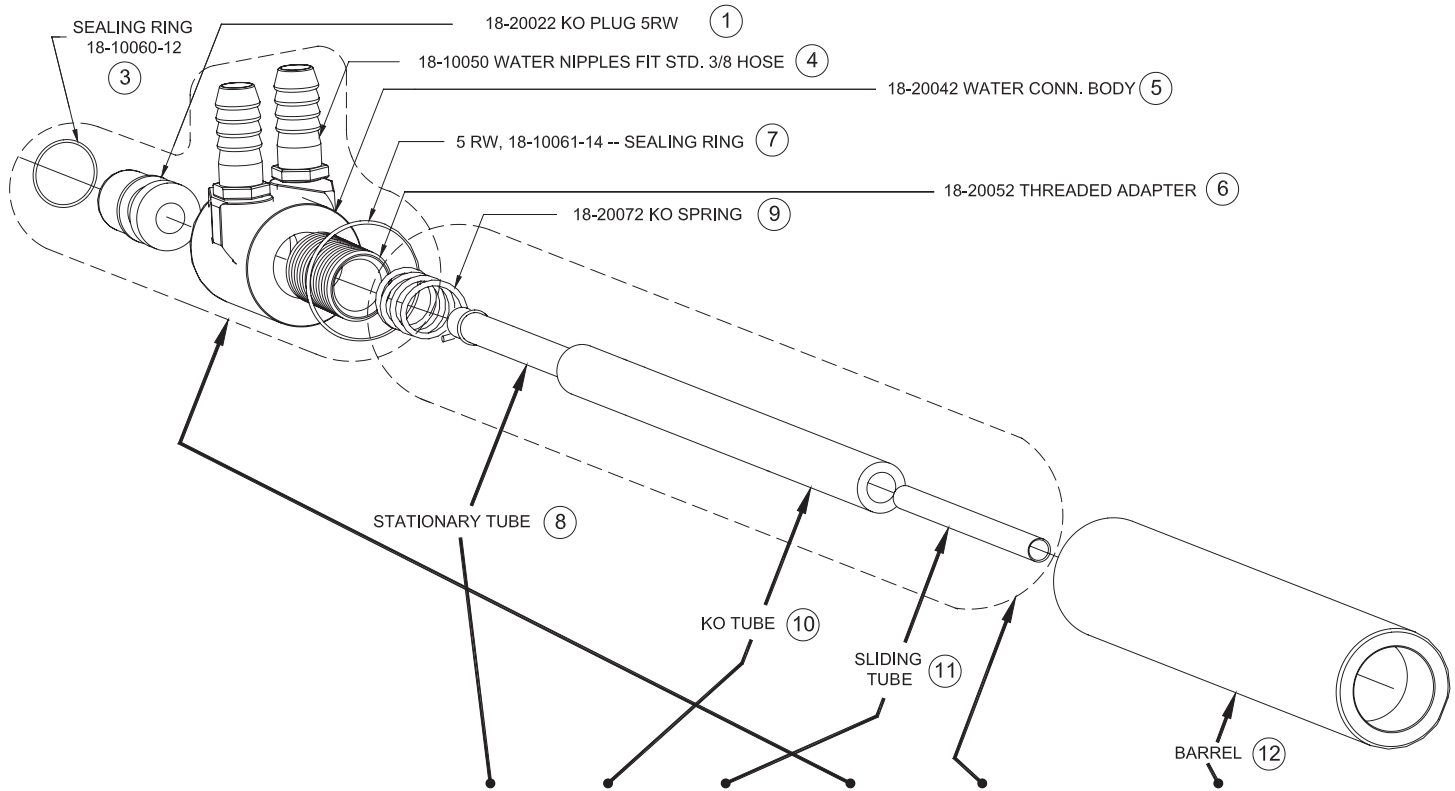


Phone: 800-933-6779

Fax:205-663-3221

Email:sales@nsrw.com

300 SERIES PREMIUM (EJECTOR) WATER COOLED ELECTRODE HOLDER



Part No. Holder Assy.	Thread Or Taper	O.A.L	Stationary Tube 8	K.O. Tube 10	Sliding Tube 11	Water Conn. HD. Sub-Assy. Include Parts: 1 3 4 5 6 7	K.O. Tube Sub-Assy Include Parts: 8 9 10 11	Barrel Diameter	Barrel 12
18-317 18-318	5 RW	8	18-10045-8	18-20032-8	18-10047-8	18-20092	18-20096-8	1-1/4 1-1/2	18-31710-8 18-31810-8
18-319* 18-320*	7 RW	8	18-10045-8	18-20032-58 & 18-20033*	18-10047-8	18-20092	18-20096-58	1-1/4 1-1/2	18-31910-8 18-32010-8
18-337 18-338	5 RW	12	18-10045-12	18-20032-12	18-10047-8	18-20092	18-20096-12	1-1/4 1-1/2	18-31710-12 18-31810-12
18-339* 18-340*	7 RW	12	18-10045-12	18-20032-62 & 18-20033*	18-10047-8	18-20092	18-20096-62	1-1/4 1-1/2	18-31910-12 18-32010-12
18-372 18-373	7/8-14	8	18-10045-8	18-20032-8	18-10047-8	18-20092	18-20096-8	1 1-1/4	18-37210-8 18-37310-8
18-375 18-376	1-14	8	18-10045-8	18-20032-8	18-10047-8	18-20092	18-20096-8	1-1/4 1-1/2	18-37510-8 18-37610-8

*Must use knockout adapter 18-20033

500 SERIES PREMIUM (EJECTOR) WATER COOLED OFFSET HOLDERS

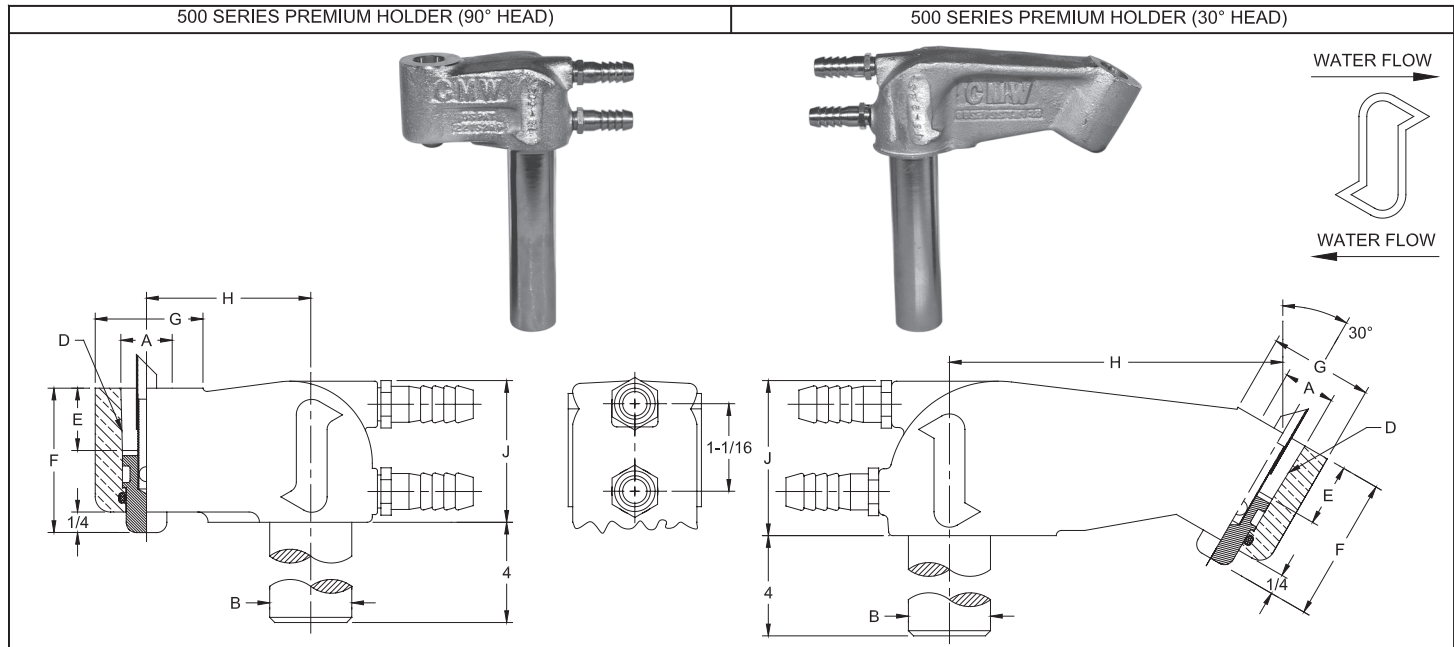


Phone: 800-933-6779

Fax: 205-663-3221

Email: sales@nsrw.com

500 SERIES PREMIUM (EJECTOR) WATER COOLED OFFSET HOLDERS



500 SERIES PREMIUM HOLDER (90° HEAD)

500 SERIES PREMIUM HOLDER (30° HEAD)

Part No. Holder Assy.	Major Taper Dia. A*	Shank Dia. B*	RW Taper D	Engagement With Electrode E	Head Height F	Head Dia. G	Offset H	Head Thickness J
18-502		1						
18-503	.625	1-1/4	5 RW	3/4	1-13/16	1-1/4	2	1-23/32
18-504		1-1/2						
18-505	.875	1-1/4	7 RW	1-1/8	2-7/32	1-1/2	2	1-23/32
18-506		1-1/2						
18-522		1						
18-523	.625	1-1/4	5 RW	3/4	1-13/16	1-1/4	4	1-7/8
18-524		1-1/2						
18-525	.875	1-1/4	7 RW	1-1/8	2-7/32	1-1/2	4	1-7/8
18-526		1-1/2						

Part No. Holder Assy.	Major Taper Dia. A*	Shank Dia. B*	RW Taper D	Engagement With Electrode E	Head Height F	Head Dia. G	Offset H	Head Thickness J
18-562		1						
18-563	.625	1-1/4	5 RW	3/4	1-13/16	1-5/16	4	1-7/8
18-564		1-1/2						
18-565	.875	1-1/4	7 RW	1-1/8	2-7/32	1-9/16	4	1-7/8
18-566		1-1/2						

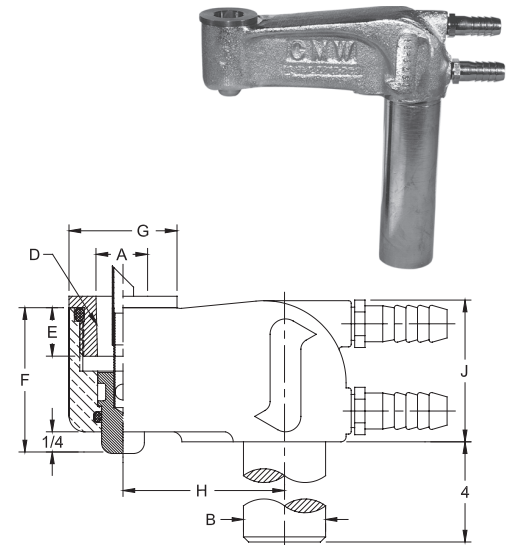
*Other shank diameters and lengths or tapers available on special order

*Other shank diameters and lengths or tapers available on special order

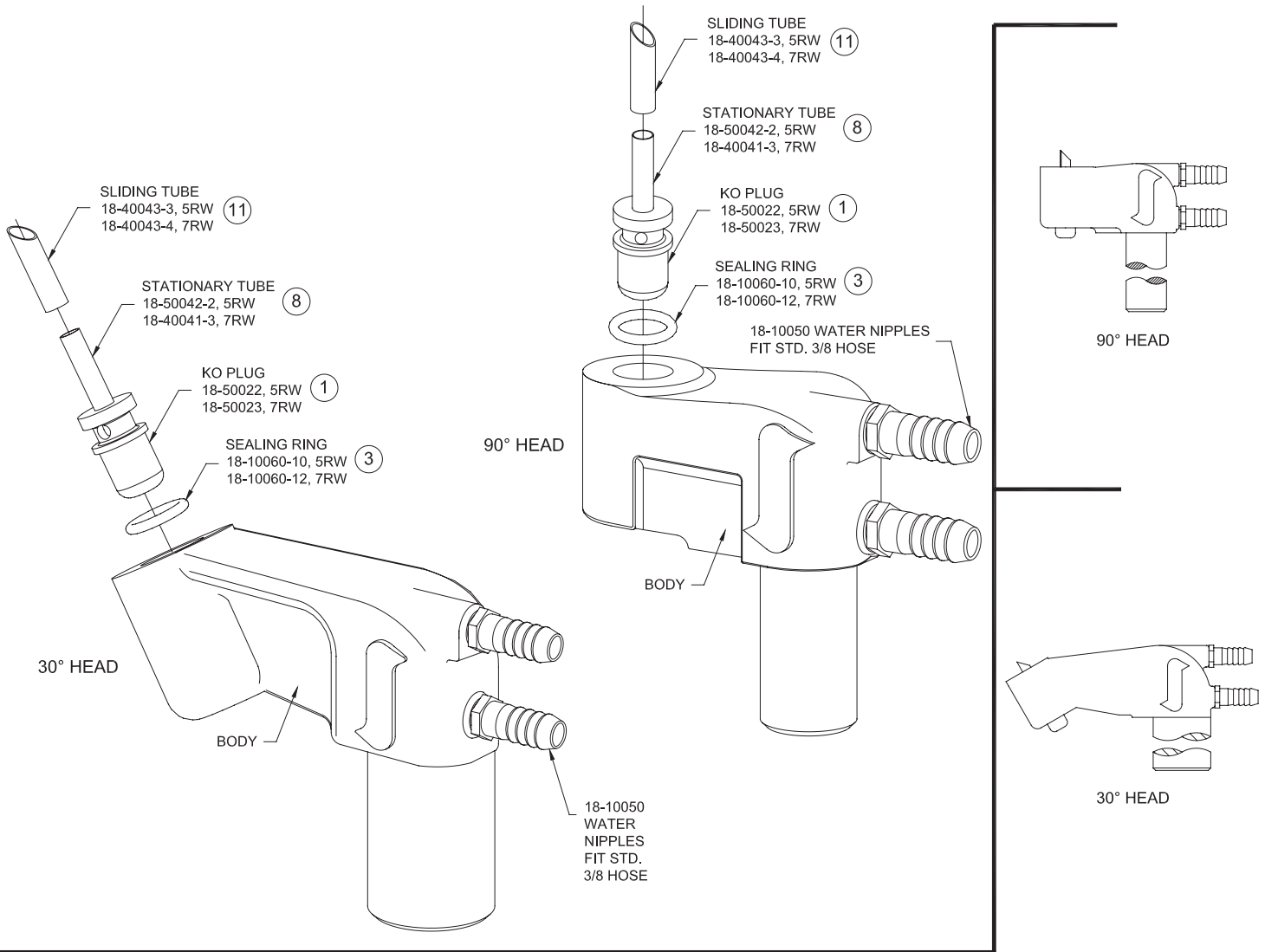
500 SERIES PREMIUM (EJECTOR) WATER COOLED ELECTRODE HOLDERS WITH THREADED ADAPTERS

Part No. Holder Assy.	Head Angle	Major Taper Dia. A*	Shank Dia. B*	RW Taper D	Engagement With Electrode E	Head Height F	Head Dia. G	Offset H	Head Thickness J	Part No. Threaded Adapter
18-5035	90°	.625	1-1/4	5 RW	3/4	1-13/16	1-1/4	2	1-23/32	18-7875
18-5036		.750		6 RW	7/8	1-15/16				18-7876
18-5045	90°	.625	1-1/2	5 RW	3/4	1-13/16	1-1/4	2	1-23/32	18-7875
18-5046		.750		6 RW	7/8	1-15/16				18-7876
18-5235	90°	.625	1-1/4	5 RW	3/4	1-13/16	1-1/4	4	1-7/8	18-7875
18-5236		.750		6 RW	7/8	1-15/16				18-7876
18-5245	90°	.625	1-1/2	5 RW	3/4	1-13/16	1-1/4	4	1-7/8	18-7875
18-5246		.750		6 RW	7/8	1-15/16				18-7876
18-5635	30°	.625	1-1/4	5 RW	3/4	1-13/16	1-1/4	4	1-7/8	18-7875
18-5636		.750		6 RW	7/8	1-15/16				18-7876
18-5645	30°	.625	1-1/2	5 RW	3/4	1-13/16	1-1/4	4	1-7/8	18-7875
18-5646		.750		6 RW	7/8	1-15/16				18-7876

*Other shank diameters and lengths or tapers available on special order



500 SERIES PREMIUM (EJECTOR) WATER COOLED OFFSET HOLDERS



Part No. Holder Assy.	Taper	Angle Of Head	KO Plug 1	Sealing Ring 3	Stationary Tube 8	Sliding Tube 11	Shank Dia.
18-502							1
18-503	5 RW	90°	18-50022	18-10060-10	18-50042-2	18-40043-3	1-1/4
18-504							1-1/2
18-505	7 RW	90°	18-50023	18-10060-12	18-40041-3	18-40043-4	1-1/4
18-506							1-1/2
18-522							1
18-523	5 RW	90°	18-50022	18-10060-10	18-50042-2	18-40043-3	1-1/4
18-524							1-1/2
18-525	7 RW	90°	18-50023	18-10060-12	18-40041-3	18-40043-4	1-1/4
18-526							1-1/2
18-562							1
18-563	5 RW	30°	18-50022	18-10060-10	18-50042-2	18-40043-3	1-1/4
18-564							1-1/2
18-565	7 RW	30°	18-50023	18-10060-12	18-40041-3	18-40043-4	1-1/4
18-566							1-1/2

500 SERIES THREADED PREMIUM (EJECTOR) REPLACEMENT PARTS

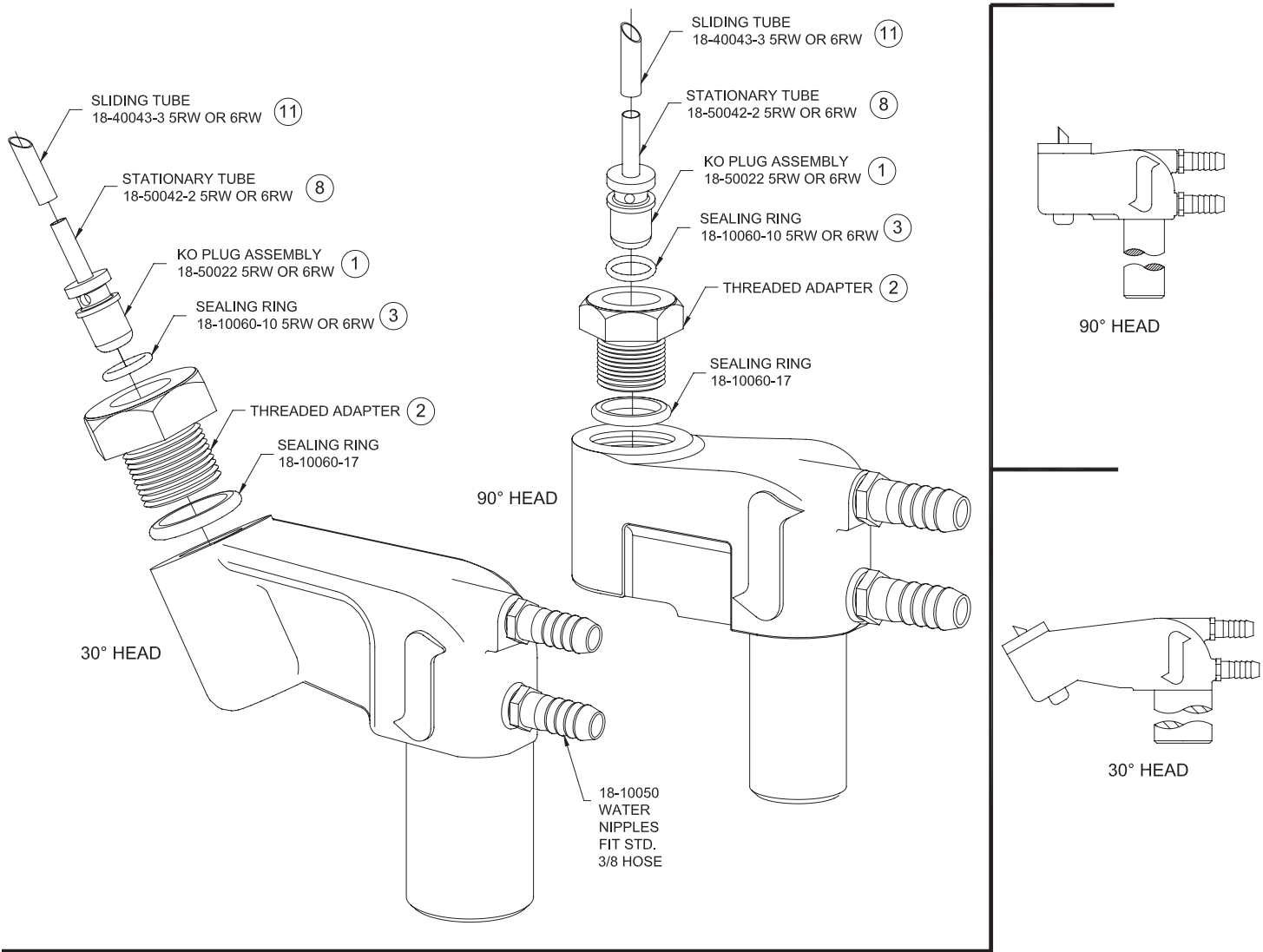


Phone: 800-933-6779

Fax: 205-663-3221

Email: sales@nsrw.com

500 SERIES PREMIUM (EJECTOR) WATER COOLED OFFSET HOLDERS WITH THREADED ADAPTER



Part No. Holder Assy.	Taper	Angle Of Head	KO Plug ** 1	Sealing Ring 3	Stationary Tube 8	Sliding Tube 11	Shank Dia.	Threaded Adapter* 2
18-5035 18-5036	5 RW 6 RW	90°	18-50022	18-10060-10	18-50042-2	18-40043-3	1-1/4	18-7875 18-7876
18-5045 18-5046	5 RW 6 RW	90°	18-50022	18-10060-10	18-50042-2	18-40043-3	1-1/2	18-7875 18-7876
18-5235 18-5236	5 RW 6 RW	90°	18-50022	18-10060-10	18-50042-2	18-40043-3	1-1/4	18-7875 18-7876
18-5245 18-5246	5 RW 6 RW	90°	18-50022	18-10060-10	18-50042-2	18-40043-3	1-1/2	18-7875 18-7876
18-5635 18-5636	5 RW 6 RW	30°	18-50022	18-10060-10	18-50042-2	18-40043-3	1-1/4	18-7875 18-7876
18-5645 18-5646	5 RW 6 RW	30°	18-50022	18-10060-10	18-50042-2	18-40043-3	1-1/2	18-7875 18-7876

* Threaded adapter includes sealing ring 18-10060-17

** KO Plug assembly includes stationary tube 18-50042-2