




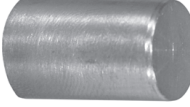
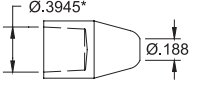
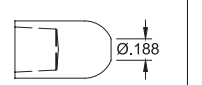
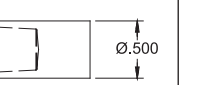
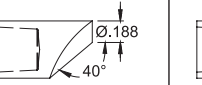
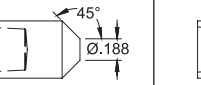
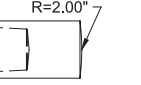
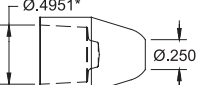
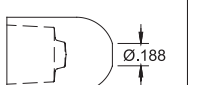

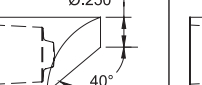
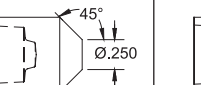
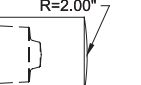
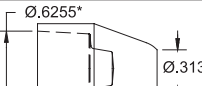

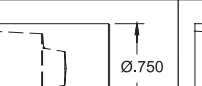
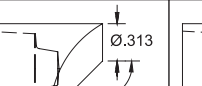
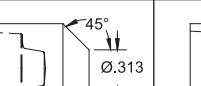



These economical, quick change caps are made of long-lasting, highly-efficient CMW®28, CMW®3, and CMW®328 copper alloys, precision manufactured to exacting tolerances in a wide range of standard configurations or to your special requirements for use on CMW shanks.

## CMW FEMALE CAP ELECTRODES

ALL DIMENSIONS MARKED WITH AN (\*) ARE COMMON TO EACH CAP IN A HORIZONTAL LINE.







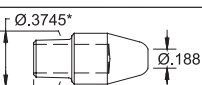
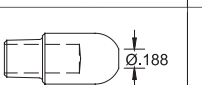
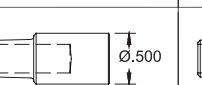
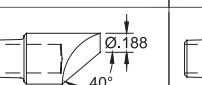
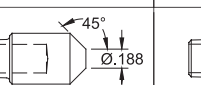
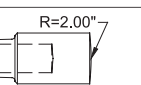
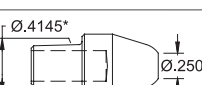

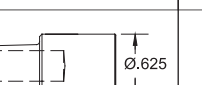
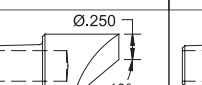
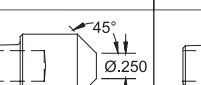
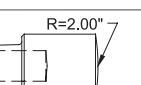
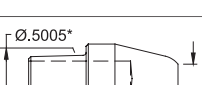
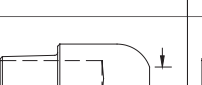
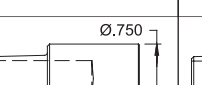
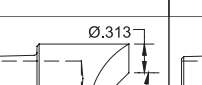
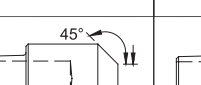
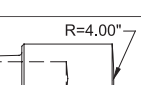
- See pages 12 for Shanks

						
	POINTED (A)	DOME (B)	FLAT (C)	OFFSET (D)	TRUNCATED (E)	RADIUS (F)
Cap Taper RW #4 Diameter .500* Length .840*  CMW®28 CMW®3 CMW®328	 $\varnothing.3945^*$ $\varnothing.188$	 $\varnothing.188$	 $\varnothing.500$	 $\varnothing.188$ $40^\circ$	 $45^\circ$ $\varnothing.188$	 $R=2.00^*$
CMW®28 MPA14Z MPA24 MPA24Z	MPB14Z MPB24 MPB24Z	MPC14Z MPC24 MPC24Z	MPD14Z MPD24 MPD24Z	MPE14Z MPE24 MPE24Z	MPF14Z MPF24 MPF24Z	
Cap Taper RW #5 Diameter .625* Length .880*  CMW®28 CMW®3 CMW®328	 $\varnothing.4951^*$ $\varnothing.250$	 $\varnothing.188$	 $\varnothing.625$	 $\varnothing.250$ $40^\circ$	 $45^\circ$ $\varnothing.250$	 $R=2.00^*$
CMW®28 MPA15Z MPA25 MPA25Z	MPB15Z MPB25 MPB25Z	MPC15Z MPC25 MPC25Z	MPD15Z MPD25 MPD25Z	MPE15Z MPE25 MPE25Z	MPF15Z MPF25 MPF25Z	
Cap Taper RW #6 Diameter .750* Length 1.000*  CMW®28 CMW®3 CMW®328	 $\varnothing.6255^*$ $\varnothing.313$	 $\varnothing.250$	 $\varnothing.750$	 $\varnothing.313$ $45^\circ$	 $45^\circ$ $\varnothing.313$	 $R=4.00^*$
CMW®28 MPA16Z MPA26 MPA26Z	MPB16Z MPB26 MPB26Z	MPC16Z MPC26 MPC26Z	MPD16Z MPD26 MPD26Z	MPE16Z MPE26 MPE26Z	MPF16Z MPF26 MPF26Z	

## CMW MALE CAP ELECTRODES

ALL DIMENSIONS MARKED WITH AN (\*) ARE COMMON TO EACH CAP IN A HORIZONTAL LINE.

- See pages 13 for Shanks

						
	POINTED (A)	DOME (B)	FLAT (C)	OFFSET (D)	TRUNCATED (E)	RADIUS (F)
Cap Taper RW #4 Diameter .500* Length 1.125*  CMW®28 CMW®3 CMW®328	 $\varnothing.3745^*$ $\varnothing.188$ $.285^*$	 $\varnothing.188$	 $\varnothing.500$	 $\varnothing.188$ $40^\circ$	 $45^\circ$ $\varnothing.188$	 $R=2.00^*$
CMW®28 MA14Z MA24 MA24Z	MB14Z MB24 MB24Z	MC14Z MC24 MC24Z	MD14Z MD24 MD24Z	ME14Z ME24 ME24Z	MF14Z MF24 MF24Z	
Cap Taper RW #5 Diameter .625* Length 1.250*  CMW®28 CMW®3 CMW®328	 $\varnothing.4145^*$ $\varnothing.250$ $.390^*$	 $\varnothing.188$	 $\varnothing.625$	 $\varnothing.250$ $40^\circ$	 $45^\circ$ $\varnothing.250$	 $R=2.00^*$
CMW®28 MA15Z MA25 MA25Z	MB15Z MB25 MB25Z	MC15Z MC25 MC25Z	MD15Z MD25 MD25Z	ME15Z ME25 ME25Z	MF15Z MF25 MF25Z	
Cap Taper RW #6 Diameter .750* Length 1.625*  CMW®28 CMW®3 CMW®328	 $\varnothing.5005^*$ $\varnothing.313$ $.500^*$	 $\varnothing.250$	 $\varnothing.750$	 $\varnothing.313$ $45^\circ$	 $45^\circ$ $\varnothing.313$	 $R=4.00^*$
CMW®28 MA16Z MA26 MA26Z	MB16Z MB26 MB26Z	MC16Z MC26 MC26Z	MD16Z MD26 MD26Z	ME16Z ME26 ME26Z	MF16Z MF26 MF26Z	

These economical, quick change caps are made of long lasting, highly efficient CMW<sup>®</sup>28, CMW<sup>®</sup>3, CMW<sup>®</sup>328 copper alloy, precision manufactured to exacting tolerances in a wide range of standard configurations or to your special requirements.

## CMW FEMALE ASIAN CAP ELECTRODES

ALL DIMENSIONS MARKED WITH AN (\*) ARE COMMON TO EACH CAP IN A HORIZONTAL LINE.



ASIAN TYPE (D)



ASIAN TYPE (R)

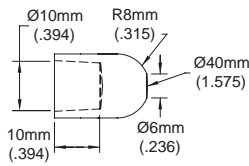


ASIAN TYPE (F)

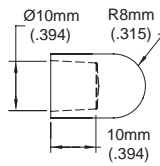


ASIAN TYPE (E)

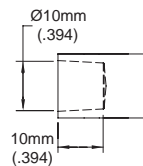
Taper 1:9.6  
Dia. 13mm (.512)\*  
Length 20mm (.787)\*



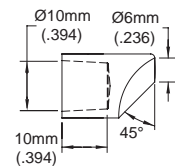
MPB141Z-01  
MPB241-01  
MPB241Z-04



MPB141Z-02  
MPB241-02  
MPB241Z-07



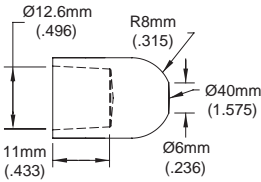
MPC141Z-01  
MPC241-01  
MPC241Z-02



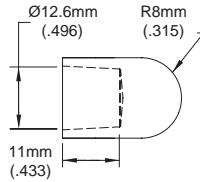
MPD141Z-01  
MPD241-02  
MPD241Z-02

CMW<sup>®</sup>28  
CMW<sup>®</sup>3  
CMW<sup>®</sup>328

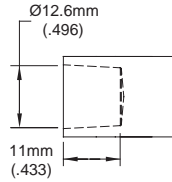
Taper 1:9.6  
Dia. 16mm (.625)\*  
Length 23mm (.906)\*



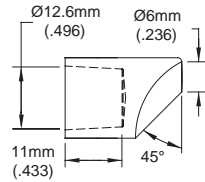
MPB15Z-11  
MPB25-14  
MPB25Z-19



MPB15Z-12  
MPB25-18  
MPB25Z-20



MPC15Z-01  
MPC25-02  
MPC25Z-05



MPD15Z-03  
MPD25-05  
MPD25Z-04

CMW<sup>®</sup>28  
CMW<sup>®</sup>3  
CMW<sup>®</sup>328

# METRIC-ISO 5821 STANDARD CAP ELECTRODES



Phone: 800-933-6779


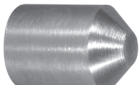


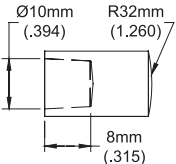
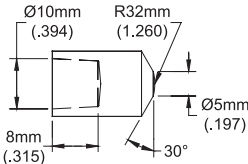
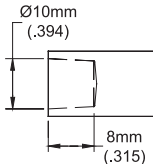
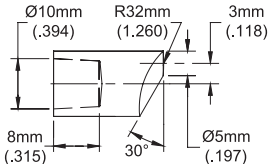
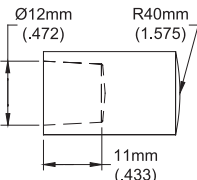
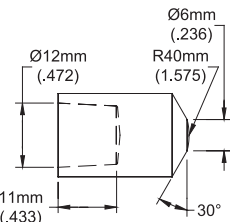
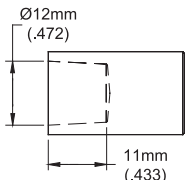
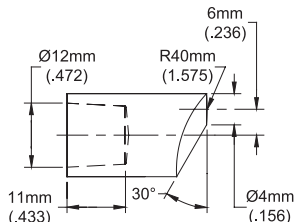
Fax: 205-663-3221

Email: sales@nsrw.com

These economical, quick change caps are made of long lasting, highly efficient CMW<sup>®</sup>328 copper alloy, precision manufactured to exacting tolerances in a wide range of standard configurations or to your special requirements.




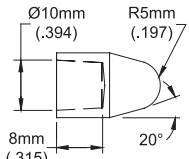
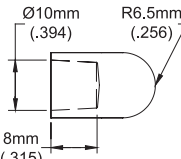
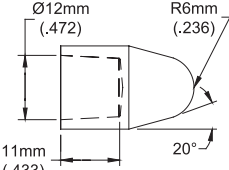
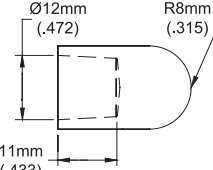
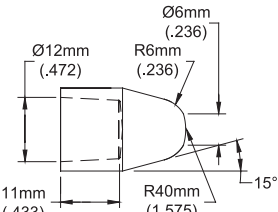
## CMW FEMALE METRIC-ISO 5821 CAP ELECTRODES

ALL DIMENSIONS MARKED WITH AN (\*) ARE COMMON TO EACH CAP IN A HORIZONTAL LINE.

	 METRIC TYPE (A)	 METRIC TYPE (B)	 METRIC TYPE (C)	 METRIC TYPE (D)
Taper 1:10 Dia. 13mm (.512)* Length 18mm (.709)*				
CMW <sup>®</sup> 328	MPF241Z-01	MPE241Z-01	MPC241Z-01	MPD241Z-01
Taper 1:10 Dia. 16mm (.625)* Length 20mm (.787)*				
CMW <sup>®</sup> 328	MPF25Z-01	MPE25Z-02	MPC25Z-02	MPD25Z-02

## CMW FEMALE METRIC-ISO 5821 CAP ELECTRODES

ALL DIMENSIONS MARKED WITH AN (\*) ARE COMMON TO EACH CAP IN A HORIZONTAL LINE.

	 METRIC TYPE (E)	 METRIC TYPE (F)	 METRIC TYPE (G)
Taper 1:10 Dia. 13mm (.512)* Length 18mm (.709)*			No Standard Available
CMW <sup>®</sup> 328	MPA241Z-01	MPB241Z-01	
Taper 1:10 Dia. 16mm (.625)* Length 20mm (.787)*			
CMW <sup>®</sup> 328	MPA25Z-03	MPB25Z-03	MPA25Z-09