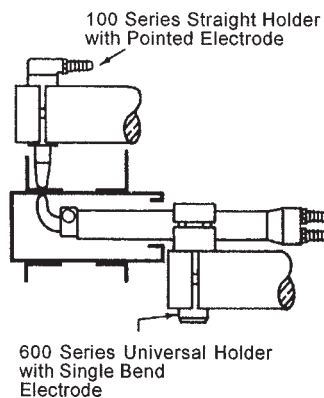
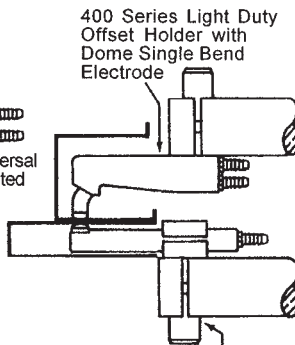
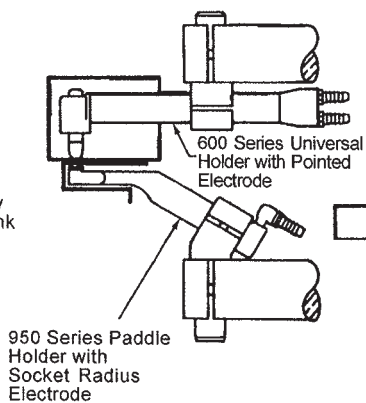
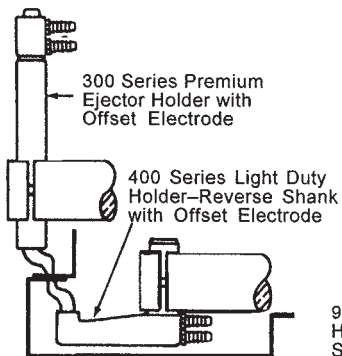
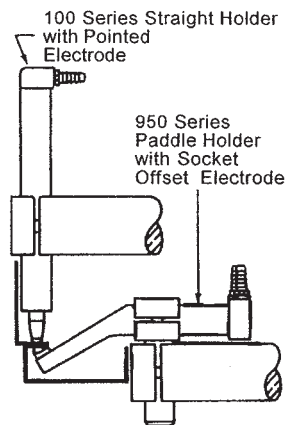
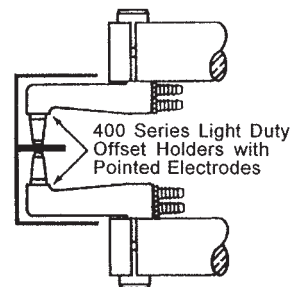
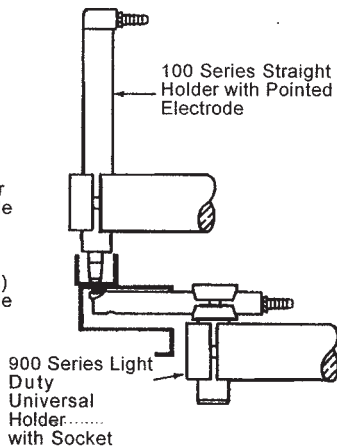
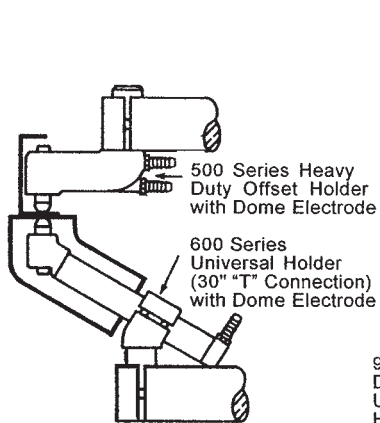
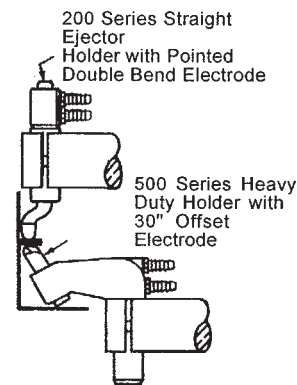
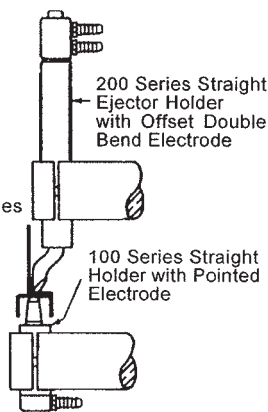
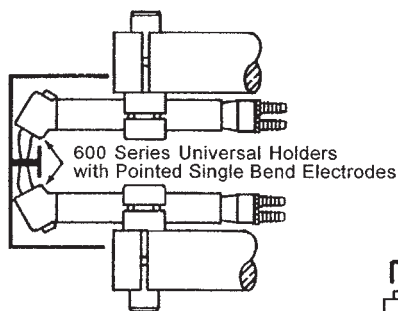
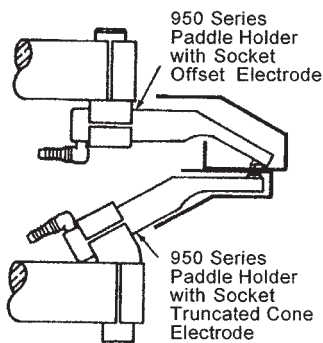
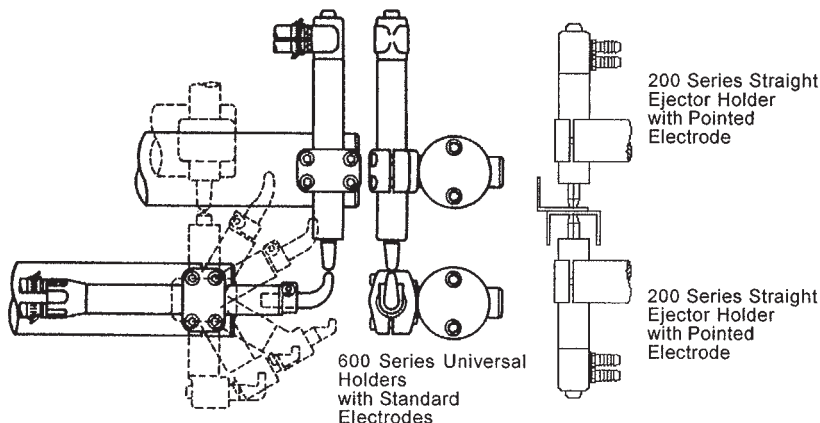
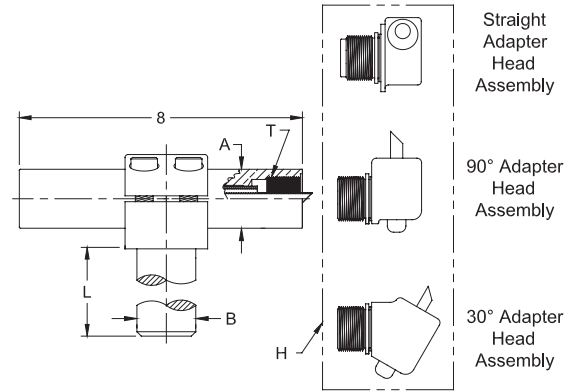
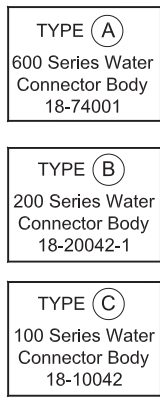
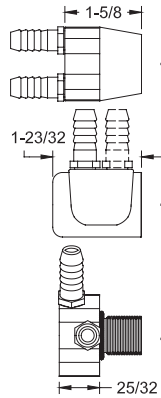
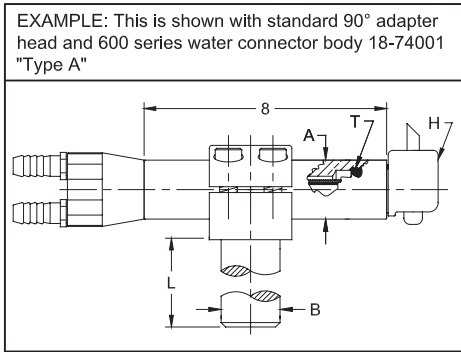


**COMBINATIONS OF CMW
HOLDERS, ADAPTERS AND
ELECTRODES CAN
PERFORM MOST RESISTANCE
WELDING APPLICATIONS**

Many of these combinations make possible welding operations that could have been done heretofore only by the use of "expensive and special" holders and electrodes. A few ideas of the many possible combinations are shown for your guidance.

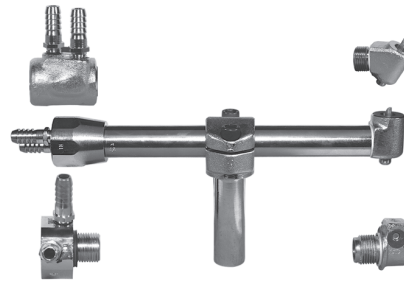


600 SERIES UNIVERSAL WATER COOLED ELECTRODE HOLDERS



*Standard holders include type "A" water connector, types "B" and "C" available on request
See page 46 for adapter head details and page 47 for additional "T" connector information.

600 SERIES UNIVERSAL HOLDER (90° ADAPTER HEAD)						
Part No. Holder Assy.*	Taper	Barrel Dia. A	Shank Dia. B	Shank Length L	Head Assy. H	Barrel Thread Size T
18-601 18-603	4 RW	1	7/8	3	18-764	7/8-14
18-605 18-607		1-1/4	1-1/4	3-1/2	18-764	7/8-14
18-611 18-613	5 RW	1	7/8	3	18-766	7/8-14
18-615 18-617		1-1/4	1-1/4	3-1/2	18-766	7/8-14
18-651 18-657		1-1/4	1-1/4	3-1/2	18-780	1-14
18-655 18-653		1-1/2	1-1/4	4	18-780	1-14
18-661 18-665 18-663	7 RW	1-1/4	1-1/4	3-1/2	18-782	1-14

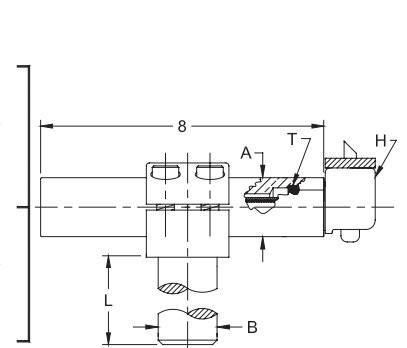
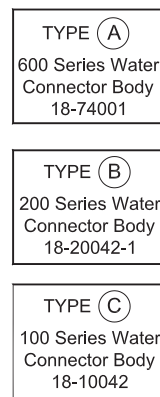
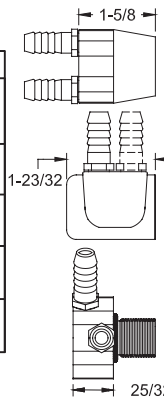


600 SERIES UNIVERSAL HOLDER (STRAIGHT ADAPTER HEAD)						
Part No. Holder Assy.*	Taper	Barrel Dia. A	Shank Dia. B	Shank Length L	Head Assy. H	Barrel Thread Size T
18-621 18-622	4 RW	1	7/8	3	18-768	7/8-14
18-623 18-671		1-1/4	1-1/4	3-1/2	18-768 18-784	7/8-14 1-14
18-624 18-674	5 RW	1-1/4	1-1/2	4	18-768	7/8-14
18-672 18-673		1-1/2	1-1/2	4	18-784	1-14

600 SERIES UNIVERSAL HOLDER (30° ADAPTER HEAD)						
Part No. Holder Assy.*	Taper	Barrel Dia. A	Shank Dia. B	Shank Length L	Head Assy. H	Barrel Thread Size T
18-602 18-604	4 RW	1	7/8	3	18-765	7/8-14
18-606 18-608		1-1/4	1-1/4	3-1/2	18-765	7/8-14
18-612 18-614	5 RW	1	7/8	3	18-767	7/8-14
18-616 18-618		1-1/4	1-1/4	3-1/2	18-767	7/8-14
18-652 18-658		1-1/4	1-1/4	3-1/2	18-781	1-14
18-656 18-654		1-1/2	1-1/4	4	18-781	1-14
18-662 18-666 18-664	7 RW	1-1/4	1-1/4	3-1/2	18-783	1-14

600 SERIES UNIVERSAL WATER COOLED ELECTRODE HOLDER (THREADED ADAPTER HEAD)

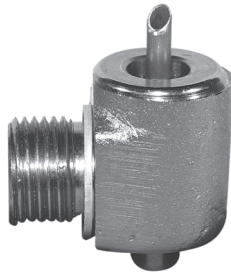
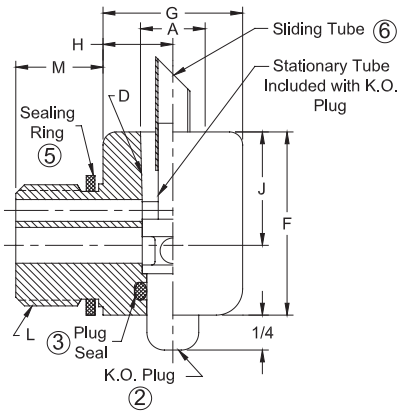
600 SERIES UNIVERSAL HOLDER (THREADED ADAPTER HEAD)							
Part No. Holder Assy.*	Taper	Head Angle	Barrel Dia. A	Shank Dia. B	Shank Length L	Head Assy. H	Barrel Thread Size T
18-6515 18-6535	5 RW	90°	1-1/4	1-1/4	3-1/2	18-7805	1-14
18-6525 18-6545		30°	1-1/4	1-1/4	3-1/2	18-7815	1-14
18-6516 18-6536	6 RW	90°	1-1/4	1-1/4	3-1/2	18-7806	1-14
18-6526 18-6546		30°	1-1/4	1-1/4	3-1/2	18-7816	1-14



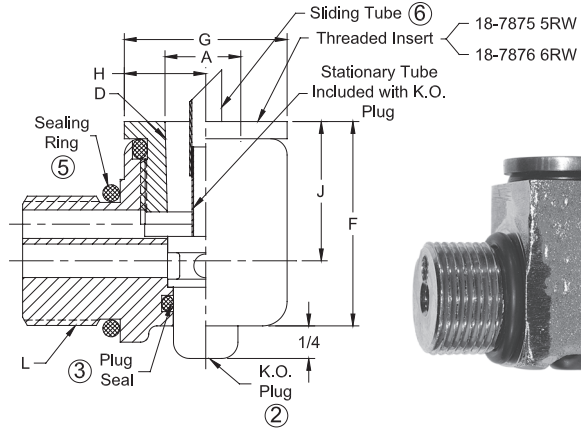
*Standard holders include type "A" water connector, types "B" and "C" available on request

MALE THREAD TO FEMALE TAPER UNIVERSAL ADAPTERS

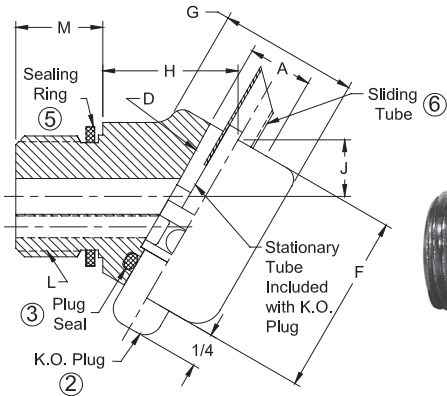
MALE THREAD TO FEMALE TAPER 90° TYPE



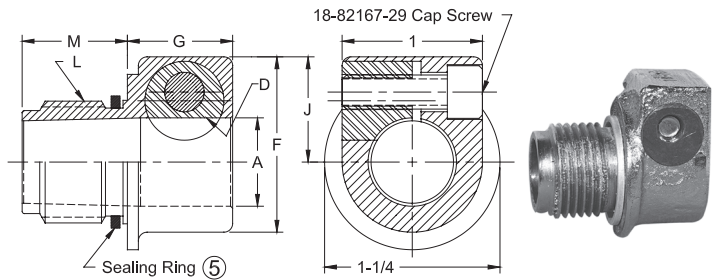
MALE THREAD TO FEMALE TAPER 90° TYPE (ADAPT WITH INSERT)



MALE THREAD TO FEMALE TAPER 30° TYPE



MALE THREAD TO FEMALE TAPER STRAIGHT TYPE



MALE THREAD TO FEMALE TAPER UNIVERSAL ADAPTERS

Adapter Part No.	Adapter Angle	Male Thread		Female Taper		Overall Head Height F	Head Diameter or Length G	End Barrel to C.L. of Taper H	C.L. Barrel to C.L. of Taper J	K.O. Plug Part No. 2	K.O. Plug Seal Ring Part No. 3	Sealing Ring Part No. 5	Sliding Tube Part No. 6
		Thread Size L	Length M	Taper Size D	Major Dia. A								
18-764 18-765	90° 30°	7/8-14	9/16	4 RW	.463	1-9/16	1	19/32 1-1/16	13/16 15/32	18-50021	18-10060-8	18-76460	18-50041-1
18-766 18-767 18-768	90° 30° Str.	7/8-14	9/16	5 RW	.625	1-13/16 1-13/16 1-1/4	1 1-1/16 3/4	19/32 1-11/32 --	1-1/16 53/64 3/4	18-50022 18-50022 --	18-10060-10 --	18-76460	18-40043-3 18-40043-3 --
18-780 18-781 18-784	90° 30° Str.	1-14	3/4	5 RW	.625	1-13/16 1-13/16 1-1/4	1-1/4 1-5/16 3/4	21/32 1-3/8 --	1-1/16 13/16 3/4	18-50022 18-50022 --	18-10060-10 --	18-10060-17	18-40043-3 18-40043-3 --
18-782 18-783	90° 30°	1-14	3/4	7 RW	.875	2-3/16	1-1/2 1-9/16	25/32 1-3/8	1-3/16 13/16	18-50023	18-10060-12	18-10060-17	18-40043-4
18-7805* 18-7815*	90° 30°	1-14	3/4	5 RW	.625	1-13/16	1-1/4 1-5/16	21/32 1-3/8	1-1/16 13/16	18-50022	18-10060-10	18-10060-17	18-40043-3
18-7806* 18-7816*	90° 30°	1-14	3/4	6 RW	.750	1-15/16	1-1/4 1-5/16	21/32 1-7/16	1-3/16 59/64	18-50022	18-10060-10	18-10060-17	18-40043-3

*These adapters have threaded inserts 18-7875 (5RW) or 18-7876 (6RW) taper