

ELECTRODE HOLDERS

U.S. Pat. No. 3,504,159 Canada Pat. No. 858,060

Several standard electrode holders are manufactured by Tuffaloy to accommodate all the Tuffaloy stud-and-nut electrode tips. These holders are available in three basic types:

Straight Holders — Tuffaloy straight nut-and-stud-electrode holders are of the same high quality as the standard straight holders made for spot welder arm mounting. Coolant is brought to the tip and circulated around it. Holders are available in three barrel diameters.

Straight Holders Barrel Diameter	A Dia.	B Length	For 1" Dia. Electrodes		For 1-1/2" Dia. Electrodes	
			Descrip- tion	Item No.	Descrip- tion	Item No.
1	1-3/4	5-3/8	4530	350-4530		
1-1/4	1-3/4	5-3/8	4531	350-4531		
1-1/2	1-3/4	5-3/8	4532	350-4532		
1	2	5-3/4			4535	350-4535
1-1/4	2	5-3/4			4536	350-4536
1-1/2	2	5-3/4			4537	350-4537

Offset Holders — To fit the special geometry of odd-shaped parts, Tuffaloy has 2-inch offset nut-and-stud electrode holders, made in three shank sizes.

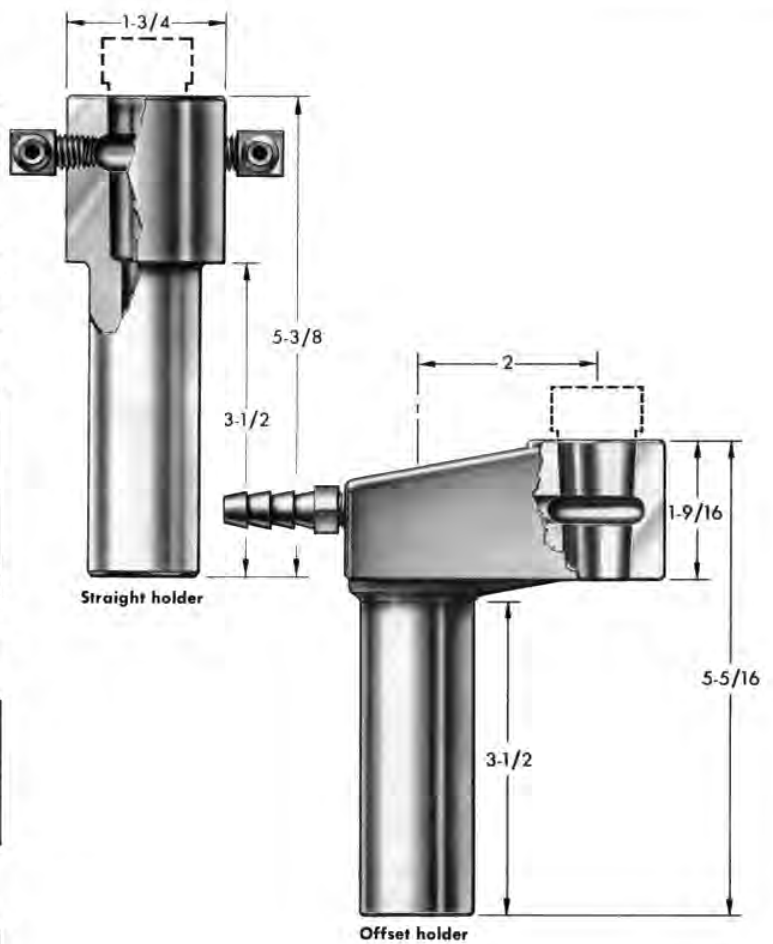
Offset Holders Shank Diameter	For 1" Dia. Electrodes		For 1-1/2" Dia. Electrodes	
	Descrip- tion	Item No.	Descrip- tion	Item No.
1		4540	350-4540	
1-1/4		4541	350-4541	4546
1-1/2		4542	350-4542	4547
				350-4546
				350-4547

ARCTIC STUD ELECTRODES

A For Stud Diameter	B Electrode Length	C Electrode Diameter	Descrip- tion	Item Number- Shank Size
0.150	3	1-1/4	115	175-1151-X
0.164			116	175-1161-X
0.190			119	175-1191-X
0.216			122	175-1221-X
1/4			125	175-1252-X
5/16			131	175-1312-X
3/8			138	175-1382-X
7/16			144	175-1442-X
6mm			106	175-1061-X
7mm			107	175-1072-X
9mm	109	175-1092-X		
10mm	110	175-1102-X		
1/2	3	1-1/2	150	175-1503-X
9/16			156	175-1563-X
5/8			163	175-1633-X
11/16			169	175-1693-X
12mm			112	175-1123-X

ARCTIC NON-PILOTED-NUT ELECTRODES

H For Nut Diameter	J Pilot Diameter	K Electrode Length	L Electrode Diameter	Descrip- tion	Item Number - Shank Size
0.164	0.180	4	1-1/4	216	175-2162-X
0.190	0.215			219	175-2192-X
0.216	0.240			222	175-2222-X
1/4	0.275			225	175-2252-X
5/16	0.345			231	175-2312-X
3/8	0.405			238	175-2382-X
6mm	0.261			206	175-2062-X
7mm	0.300			207	175-2072-X
9mm	0.385			209	175-2092-X
10mm	0.425			210	175-2102-X
7/16	0.562	4	1-1/2	244	175-2443-X
1/2	0.625			250	175-2503-X
9/16	0.687			256	175-2563-X
5/8	0.750			262	175-2623-X
12mm	0.595			212	175-2123-X



Arctic Electrodes—The Arctic system is a compact stud-and-nut electrode with internal water cooling. Also available with optional air expulsion and platen mounts.

Patent Pending

