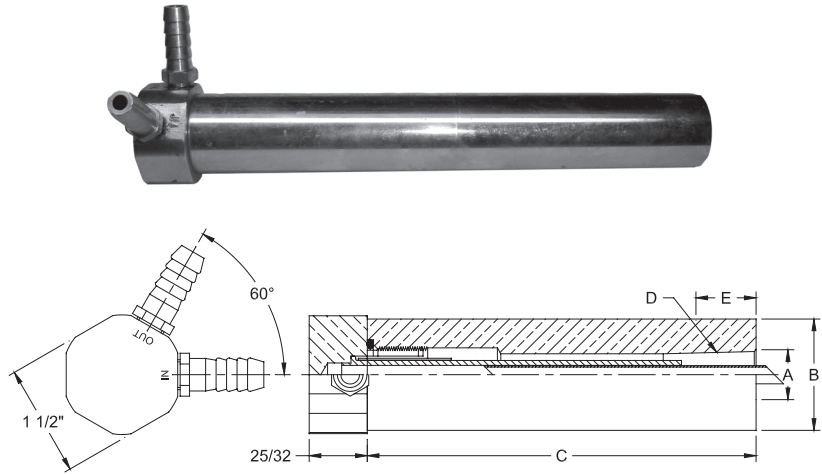
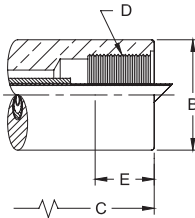


100 SERIES (NON-EJECTOR) WATER COOLED ELECTRODE HOLDER

100 SERIES TAPERED HOLDER					
Part No. Holder Assy.	Major Taper Dia. A	Barrel Dia. B	Barrel Length C	RW Taper D	Engagement With Std. Elect. E
18-101 18-102 18-103 18-104	.463	3/4 7/8 1 1-1/4	3	4 RW	1/2
18-106 18-107 18-108	.625	1 1-1/4 1-1/2		5 RW	3/4
18-111 18-112 18-113 18-114	.463	3/4 7/8 1 1-1/4	8	4 RW	1/2
18-116 18-117 18-118	.625	1 1-1/4 1-1/2		5 RW	3/4
18-119 18-120	.875	1-1/4 1-1/2		7 RW	1-1/8
18-131 18-132 18-133 18-134	.463	3/4 7/8 1 1-1/4	12	4 RW	1/2
18-136 18-137 18-138	.625	1 1-1/4 1-1/2		5 RW	3/4



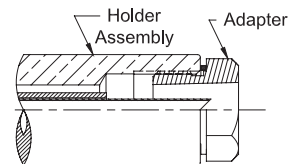
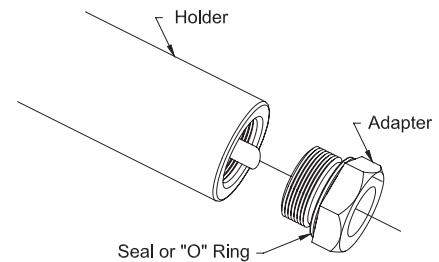
100 SERIES THREADED HOLDER				
Part No. Holder Assy.	Barrel Dia. B	Barrel Length C	Thread Size D	Engagement With Std. Electrode E
18-169 18-170 18-171	1 1-1/4 1-1/2	8	5/8-18	9/16
18-172 18-173 18-174	1 1-1/4 1-1/2		7/8-14	9/16
18-175 18-176	1-1/4 1-1/2		1-14	3/4



See available adapters in table below.

ADAPTERS USED WITH THREADED HOLDERS

100 SERIES THREADED HOLDER ADAPTERS					
Holder Assembly No.	Adapter Part No.	Page No.	Attachment Description		
18-169 18-170 18-171	18-750	31	4 RW Female		
	18-751	31	5 RW Female		
	18-752	31	5/8-18 M. Thread		
	18-811	48	#1 Size Nu-Twist®		
18-172 18-173 18-174	18-770	31	4 RW Female	May also be used with universal Adapters having 7/8-14 Male thread See page 46	
	18-771	31	5 RW Female		
18-175 18-176	18-785	31	4 RW Female	May also be used with universal Adapters having 1-14 Male thread See page 46	
	18-786	31	5 RW Female		
	18-7863	31	6 RW Female		
	18-787	31	7 RW Female		
	18-812	48	#2 Size Nu-Twist®		



100 SERIES (NON-EJECTOR) REPLACEMENT PARTS

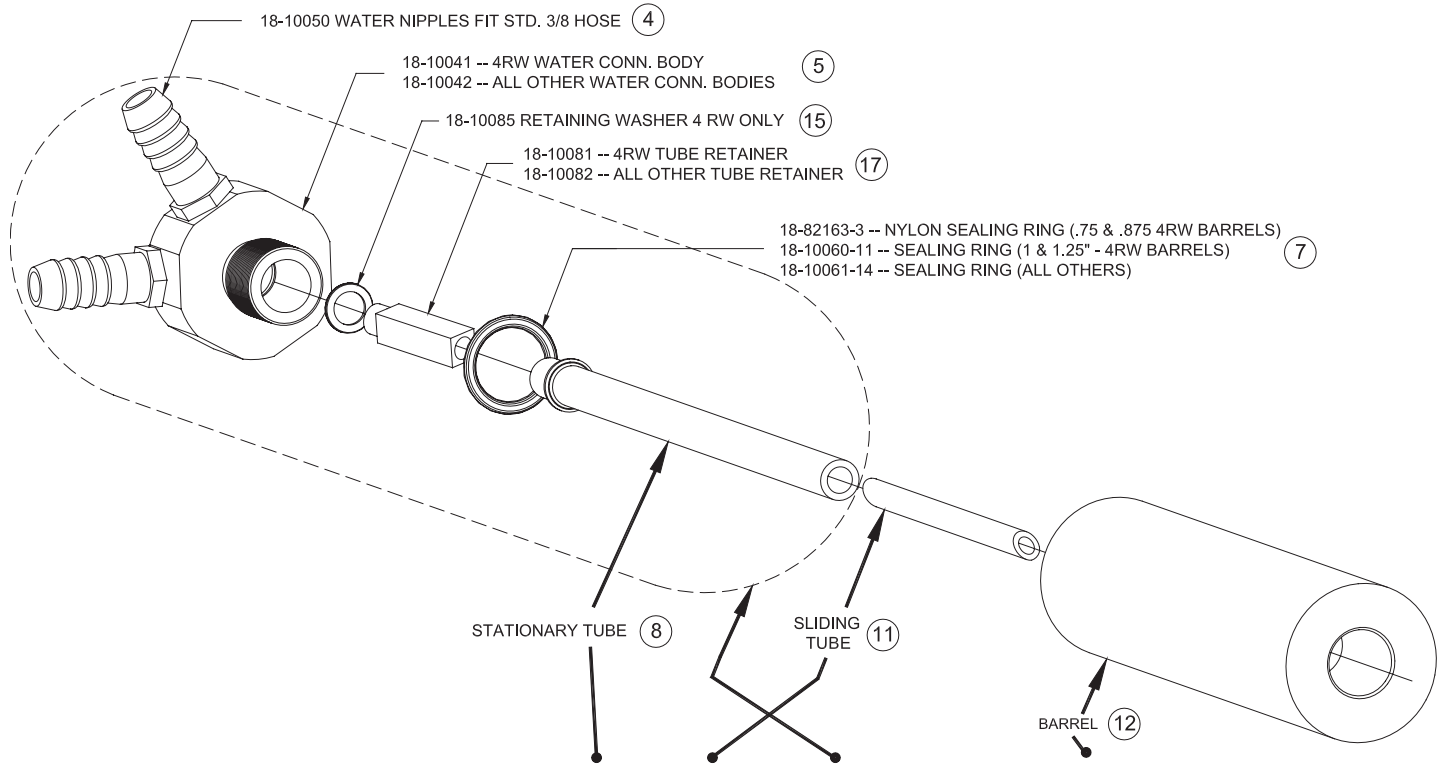


Phone: 800-933-6779

Fax: 205-663-3221

Email: sales@nsrw.com

100 SERIES (NON-EJECTOR) WATER COOLED ELECTRODE HOLDER



Part No. Holder Assy.	Thread Or Taper	Barrel Length	Stationary Tube 8	Sliding Tube 11	Water Conn. HD. Sub-Assy. Include Parts: 4 5 7 8 15 17	Barrel Diameter	Barrel 12
18-101 18-102 18-103 18-104	4 RW	3	18-10044-3	18-10046-3	18-10091-3	3/4 7/8 1 1-1/4	18-11110-3 18-11210-3 18-11310-3 18-11410-3
18-106 18-107 18-108	5 RW	3	18-10045-3	18-10047-3	18-10092-3	1 1-1/4 1-1/2	18-11610-3 18-11710-3 18-11810-3
18-111 18-112 18-113 18-114	4 RW	8	18-10044-8	18-10046-8	18-10091-8	3/4 7/8 1 1-1/4	18-11110-8 18-11210-8 18-11310-8 18-11410-8
18-116 18-117 18-118	5 RW	8	18-10045-8	18-10047-8	18-10092-8	1 1-1/4 1-1/2	18-11610-8 18-11710-8 18-11810-8
18-119 18-120	7 RW	8	18-10045-8	18-10047-8	18-10092-8	1-1/4 1-1/2	18-11910-8 18-12010-8
18-131 18-132 18-133 18-134	4 RW	12	18-10044-12	18-10046-8	18-10091-12	3/4 7/8 1 1-1/4	18-11110-12 18-11210-12 18-11310-12 18-11410-12
18-136 18-137 18-138	5 RW	12	18-10045-12	18-10047-8	18-10092-12	1 1-1/4 1-1/2	18-11610-12 18-11710-12 18-11810-12
18-169 18-170 18-171	5/8-18	8	18-10045-8	18-10047-8	18-10092-8	1 1-1/4 1-1/2	18-16910-8 18-17010-8 18-17110-8
18-172 18-173 18-174	7/8-14	8	18-10045-8	18-10047-8	18-10092-8	1 1-1/4 1-1/2	18-17210-8 18-17310-8 18-17410-8
18-175 18-176	1-14	8	18-10045-8	18-10047-8	18-10092-8	1-1/4 1-1/2	18-17510-8 18-17610-8

400 SERIES OFFSET (NON-EJECTOR) WATER COOLED ELECTRODE HOLDERS

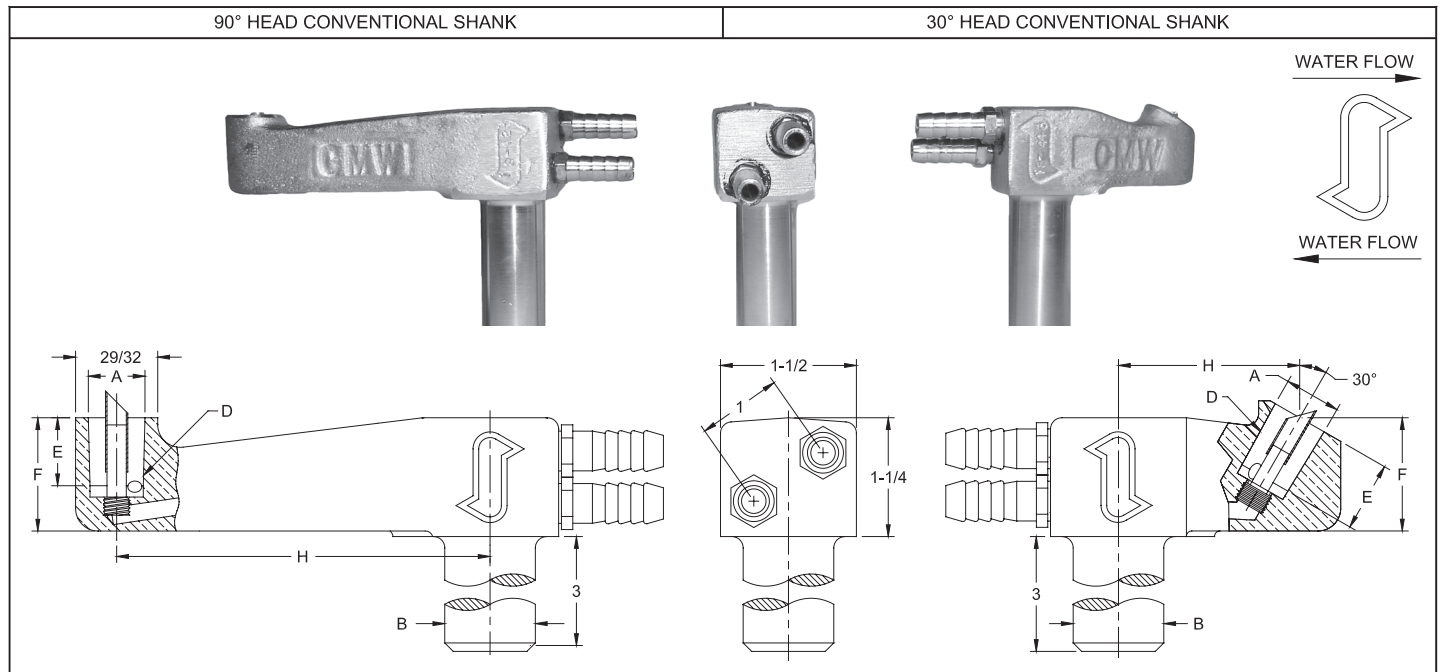


Phone: 800-933-6779

Fax: 205-663-3221

Email: sales@nsrw.com

400 SERIES OFFSET (NON-EJECTOR) WATER COOLED ELECTRODE HOLDERS



400 SERIES OFFSET HOLDER (CONVENTIONAL SHANK 90°)

Part No. Holder Assy.	Major Taper Dia. A*	Shank Dia. B*	RW Taper D	Engagement With Electrode E	Head Height F	Offset H
18-402	.463	7/8	4 RW	1/2	1-1/16	2
18-403		1				
18-404		1-1/4				
18-407	.625	7/8	5 RW	3/4	1-1/4	2
18-408		1				
18-409		1-1/4				
18-422	.463	7/8	4 RW	1/2	1-1/16	4
18-423		1				
18-424		1-1/4				
18-428	.625	1	5 RW	3/4	1-1/4	4
18-429		1-1/4				

*Other shank diameters and lengths or tapers available on special order

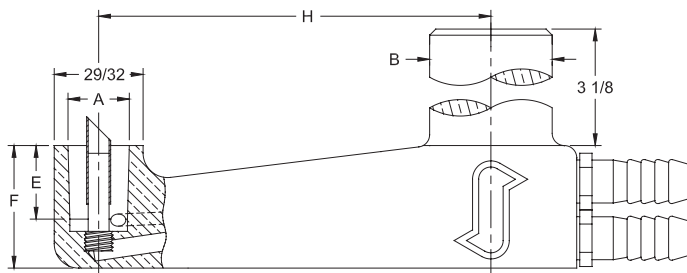
400 SERIES OFFSET HOLDER (CONVENTIONAL SHANK 30°)

Part No. Holder Assy.	Major Taper Dia. A*	Shank Dia. B*	RW Taper D	Engagement With Electrode E	Head Height F	Offset H
18-442	.463	7/8	4 RW	1/2	1	2
18-443		1				
18-444		1-1/4				
18-448	.625	1	5 RW	3/4	1-1/4	2
18-449		1-1/4				
18-462	.463	7/8	4 RW	1/2	1	4
18-463		1				
18-464		1-1/4				
18-468	.625	1	5 RW	3/4	1-1/4	4
18-469		1-1/4				

*Other shank diameters and lengths or tapers available on special order

400 SERIES OFFSET (NON-EJECTOR) WATER COOLED ELECTRODE HOLDERS

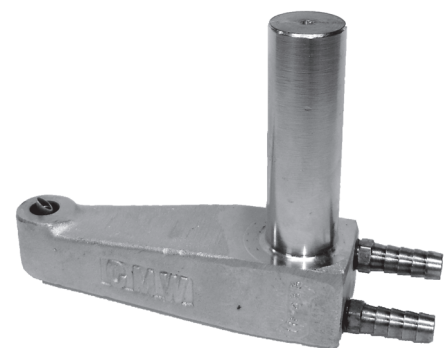
90° HEAD REVERSE SHANK



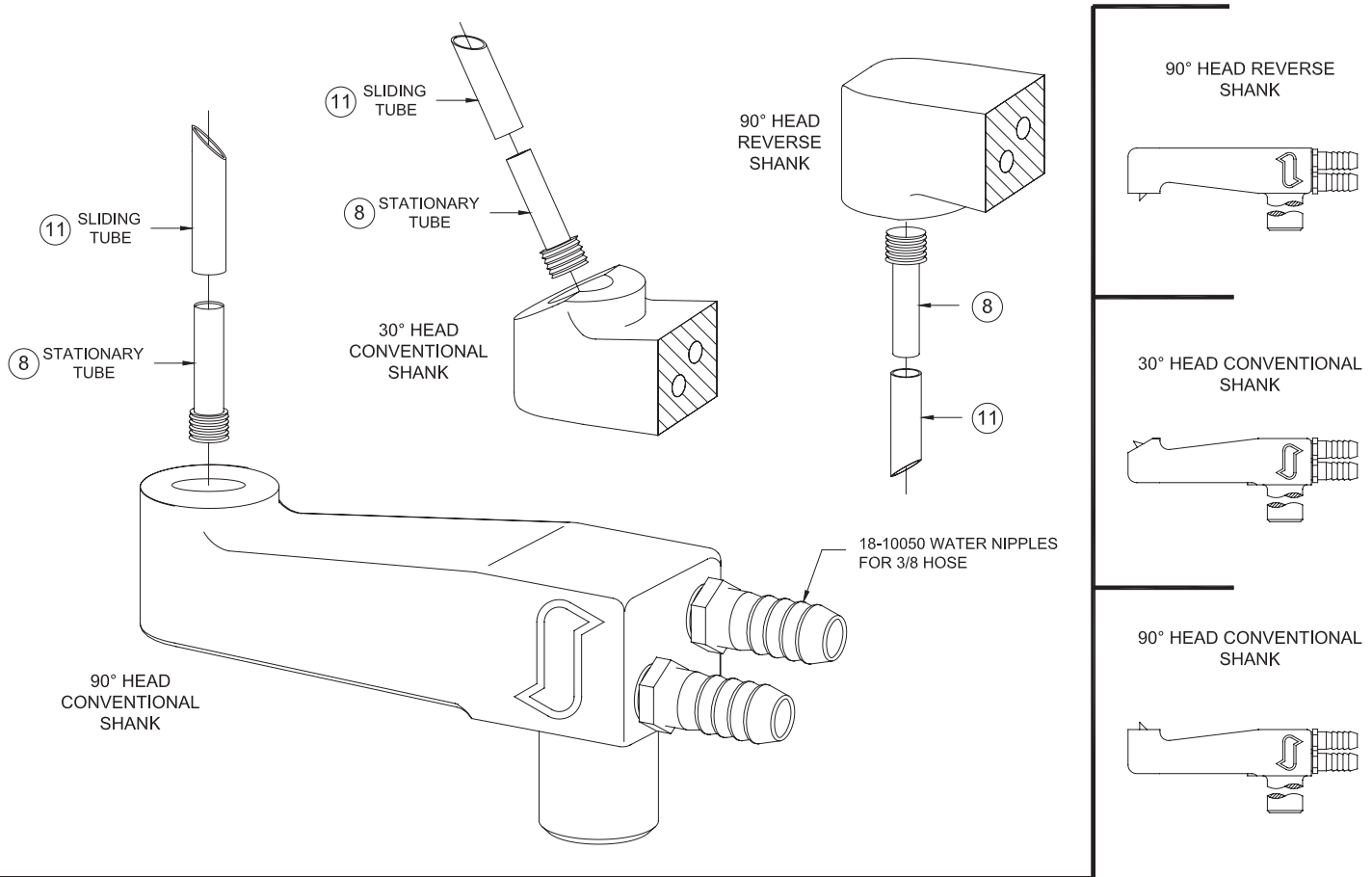
400 SERIES OFFSET HOLDER (REVERSE SHANK 90°)

Part No. Holder Assy.	Major Taper Dia. A*	Shank Dia. B*	RW Taper D	Engagement With Electrode E	Head Height F	Offset H
18-433	.463	1	4 RW	1/2	1-1/16	4
18-439	.625	1-1/4	5 RW	3/4	1-1/4	4

*Other shank diameters and lengths or tapers available on special order



400 SERIES OFFSET (NON-EJECTOR) REPLACEMENT PARTS



Part No. Holder Assy.	Taper	Angle Of Head	Stationary Tube 8	Sliding Tube 11	Shank Dia.
18-402	4 RW	90°	18-40041-1	18-40043-1	7/8
18-403					1
18-404					1-1/4
18-407	5 RW	90°	18-40041-1	18-40043-2	7/8
18-408					1
18-409					1-1/4
18-422	4 RW	90°	18-40041-1	18-40043-1	7/8
18-423					1
18-424					1-1/4
18-433*					1
18-428	5 RW	90°	18-40041-1	18-40043-2	1
18-429					1-1/4
18-439*					1-1/4
18-442	4 RW	30°	18-40041-1	18-40043-1	7/8
18-443					1
18-444					1-1/4
18-448	5 RW	30°	18-40041-1	18-40043-2	1
18-449					1-1/4
18-462	4 RW	30°	18-40041-1	18-40043-1	7/8
18-463					1
18-464					1-1/4
18-468	5 RW	30°	18-40041-1	18-40043-2	1
18-469					1-1/4

*Reverse shank