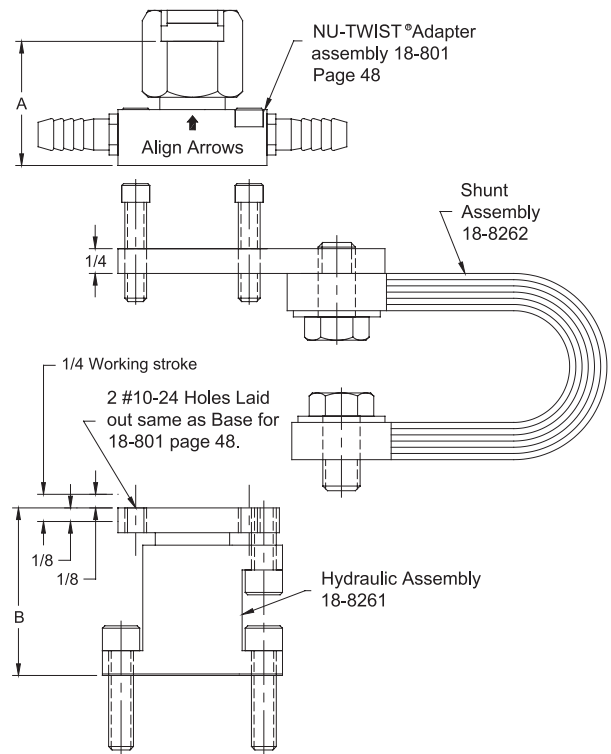
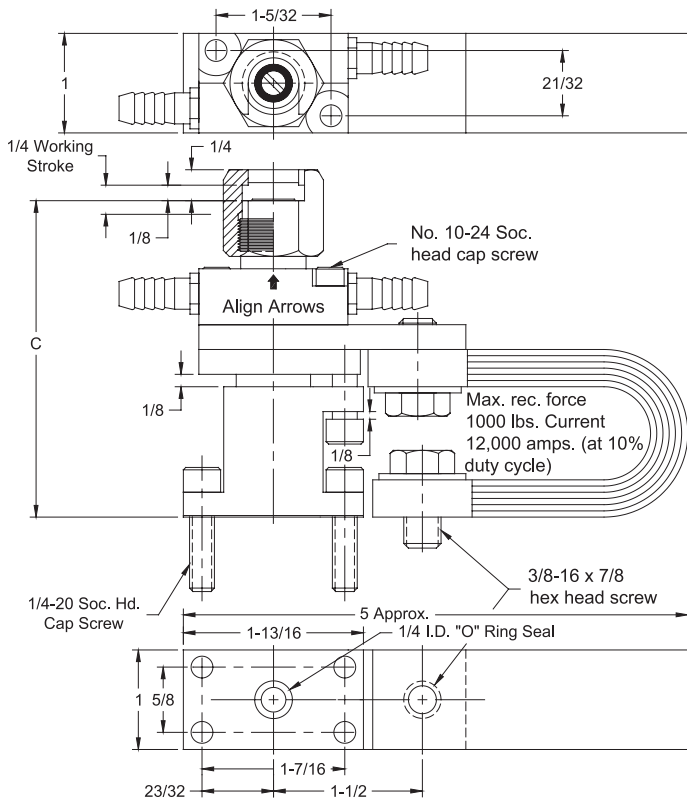


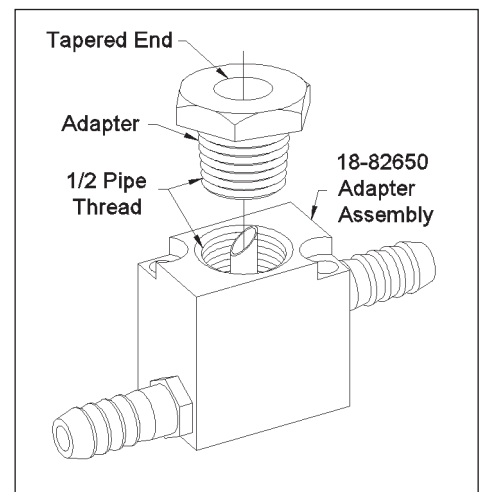
## HYDRAULIC EQUALIZING ADAPTERS AND ASSEMBLIES

CMW Hydraulic Equalizing adapter units are used to equalize the weld force when two or more welds are required simultaneously. The equalizing action is developed in a closed hydraulic system - and is accomplished by hydraulically interconnecting two or more units. We recommend using fire resistant hydraulic fluid compatible with BUNA "N" such as HOUGHTO-SAFE #620, 1120 or equivalent. Consult your local industrial lubricant distributor.

18-826 #1 SIZE UNIT WITH NU-TWIST® SHOWN

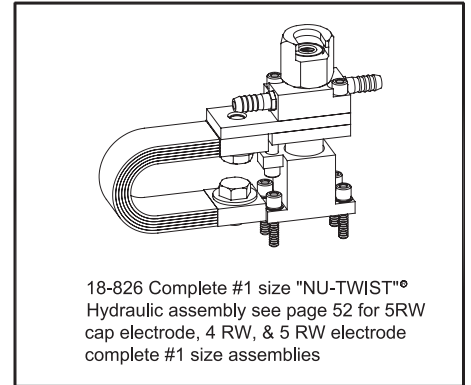
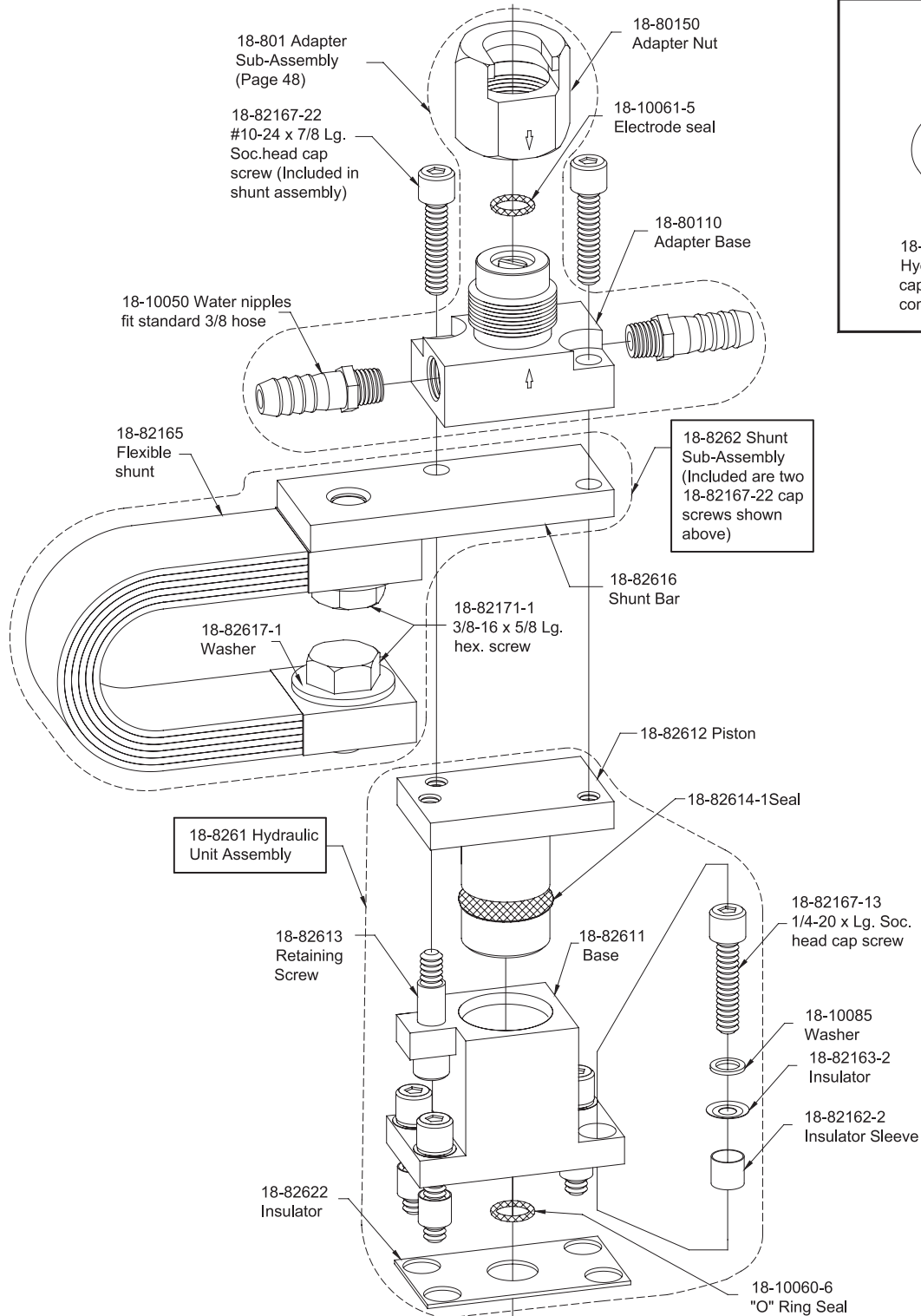


Complete Unit Part No.	Unit Size.	Electrode Attachment	Included Tapered Adapters	Height A	Mean Height B	Mean Electrode Engagement Height C
18-826	#1	NU-TWIST®	--	1-1/4		3-13/64
18-82650	#1	1/2-14 Pipe Thd.	--	1-1/2		3-29/64
18-82651	#1 with adapters	5 RW Male cap	18-7465-07	1-59/64	1-43/64	3-7/8
18-82652		4 RW	18-746-07	1-51/64		3-3/4
18-82653		5 RW	18-747-07	1-51/64		3-3/4



## HYDRAULIC EQUALIZING ADAPTERS AND ASSEMBLIES

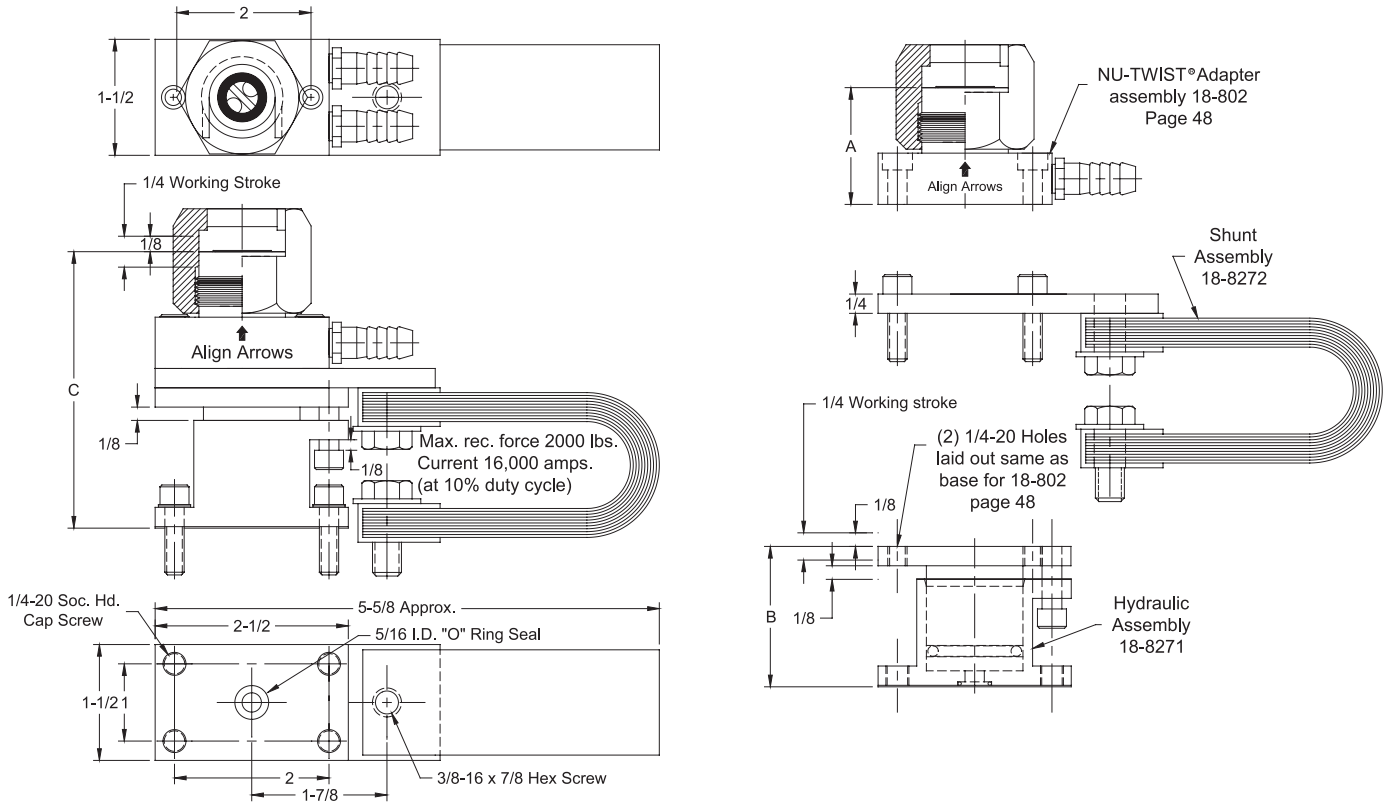
18-826 COMPLETE #1 SIZE "NU-TWIST"® ASSEMBLY



## HYDRAULIC EQUALIZING ADAPTERS AND ASSEMBLIES

CMW Hydraulic Equalizing adapter units are used to equalize the weld force when two or more welds are required simultaneously. The equalizing action is developed in a closed hydraulic system - and is accomplished by hydraulically interconnecting two or more units. We recommend using fire resistant hydraulic fluid compatible with BUNA "N" such as HOUGHTO-SAFE #620, 1120 or equivalent. Consult your local industrial lubricant distributor.

### 18-827 #2 SIZE UNIT WITH "NU-TWIST"® SHOWN



Complete Unit Part No.	Unit Size.	Electrode Attachment	Height A	Mean Height B	Mean Electrode Base Height C
18-827	#2	NU-TWIST	1-13/16	1-49/64	3-53/64

## HYDRAULIC EQUALIZING ADAPTERS AND ASSEMBLIES

18-827 COMPLETE #2 SIZE "NU-TWIST" ASSEMBLY

