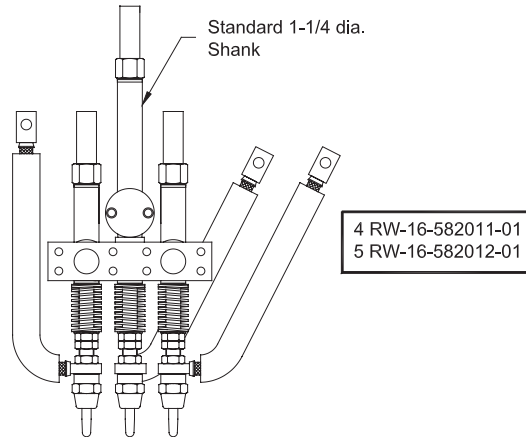


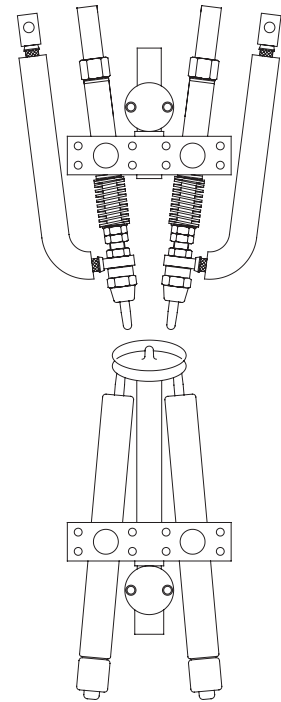
APPLICATION SHEET FOR TYPICAL MULTIPLE SPOT WELDING SETUPS

Typical Set Up For  
3 Spots at a time in Parallel

- 1 CMW Std. 1150 Series Adapter
- 2 CMW Std. 1100 Series Holders
- 1 CMW Special 1100 Series Holder

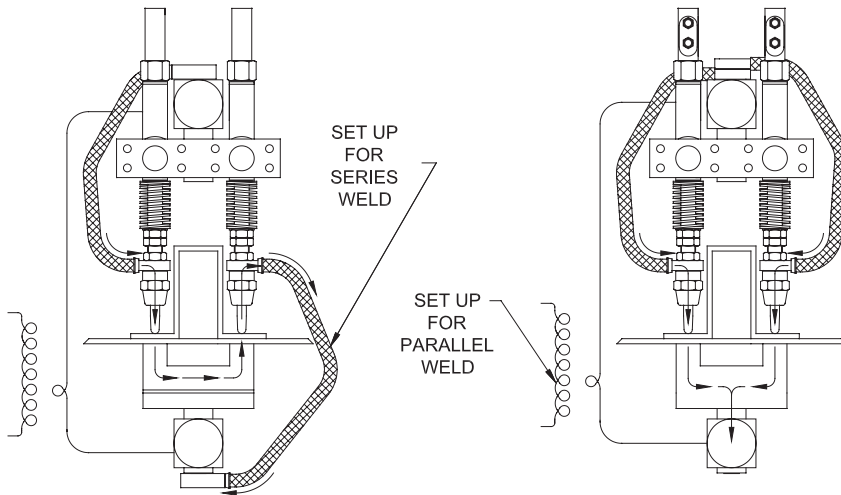


Typical Set Up For  
2 spots simultaneously  
in parallel



Upper  
2-1100 Series Holders  
1-1150 Series Adapter

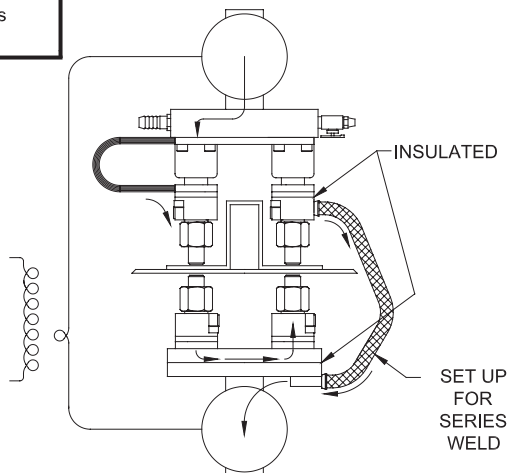
Lower  
2-100,200 or 300 Series Holders  
1-1150 Series Adapter with special  
center shank



Contact Factory  
All above items  
priced and made  
to special order  
Illustrations  
only

TYPICAL SET UP OF 800 SERIES "NU-TWIST"® UNITS

For dual spot welding using hydraulic "Nu-Twist"® Pressure equalizing subassemblies  
and surface mounted adapters as basic building blocks



Upper  
two  
18-826  
hydraulic  
unit assemblies  
mounted on  
fixed centers  
(See Pages  
52, 53, 56)

Lower  
two  
18-801  
surface  
mounted  
"Nu-Twist"®  
Adapters  
(See page 48)

