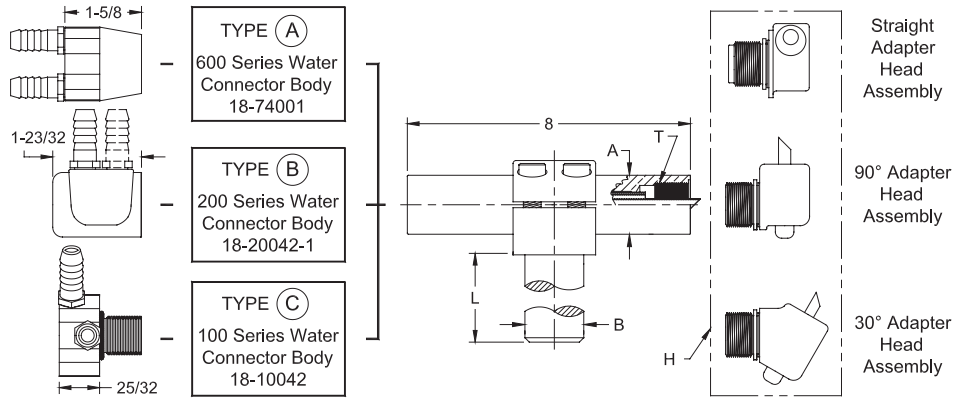
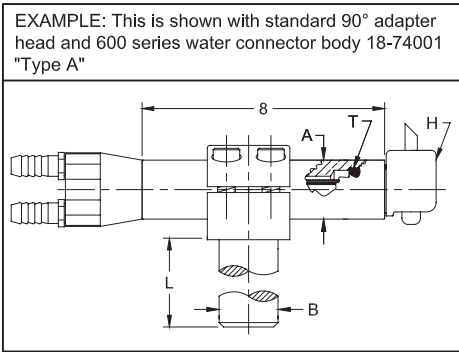
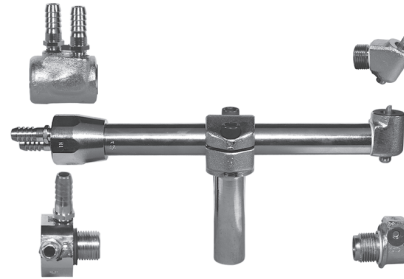


600 SERIES UNIVERSAL WATER COOLED ELECTRODE HOLDERS



*Standard holders include type "A" water connector, types "B" and "C" available on request
See page 46 for adapter head details and page 47 for additional "T" connector information.

600 SERIES UNIVERSAL HOLDER (90° ADAPTER HEAD)						
Part No. Holder Assy.*	Taper	Barrel Dia. A	Shank Dia B	Shank Length L	Head Assy. H	Barrel Thread Size T
18-601 18-603	4 RW	1	7/8	3	18-764	7/8-14
18-605 18-607		1-1/4	1-1/4	3-1/2	18-764	7/8-14
18-611 18-613	5 RW	1	7/8	3	18-766	7/8-14
18-615 18-617		1-1/4	1-1/4	3-1/2	18-766	7/8-14
18-651 18-657		1-1/4	1-1/4	3-1/2	18-780	1-14
18-655 18-653		1-1/2	1-1/4	4	18-780	1-14
18-661 18-665 18-663	7 RW	1-1/4	1-1/4	3-1/2	18-782	1-14

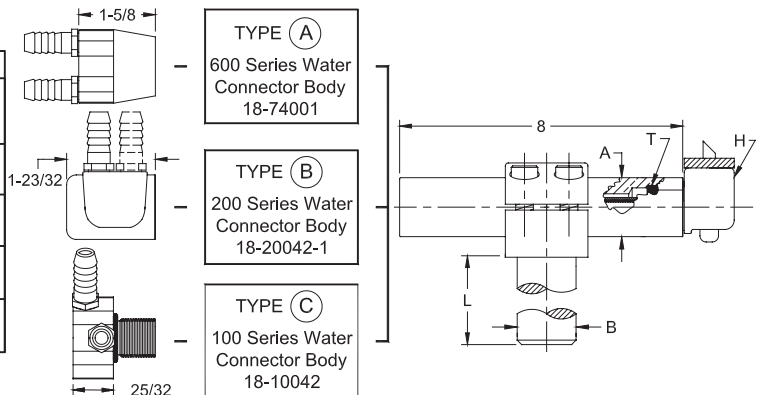


600 SERIES UNIVERSAL HOLDER (STRAIGHT ADAPTER HEAD)						
Part No. Holder Assy.*	Taper	Barrel Dia. A	Shank Dia B	Shank Length L	Head Assy. H	Barrel Thread Size T
18-621 18-622	4 RW	1	7/8	3	18-768	7/8-14
18-623 18-671		1-1/4	1-1/4	3-1/2	18-768 18-784	7/8-14 1-14
18-624 18-674	5 RW	1-1/4	1-1/2	4	18-768	7/8-14
18-672 18-673		1-1/2	1-1/2	4	18-784	1-14

600 SERIES UNIVERSAL HOLDER (30° ADAPTER HEAD)						
Part No. Holder Assy.*	Taper	Barrel Dia. A	Shank Dia B	Shank Length L	Head Assy. H	Barrel Thread Size T
18-602 18-604	4 RW	1	7/8	3	18-765	7/8-14
18-606 18-608		1-1/4	1-1/4	3-1/2	18-765	7/8-14
18-612 18-614	5 RW	1	7/8	3	18-767	7/8-14
18-616 18-618		1-1/4	1-1/4	3-1/2	18-767	7/8-14
18-652 18-658		1-1/4	1-1/4	3-1/2	18-781	1-14
18-656 18-654		1-1/2	1-1/4	4	18-781	1-14
18-662 18-666 18-664	7 RW	1-1/4	1-1/4	3-1/2	18-783	1-14

600 SERIES UNIVERSAL WATER COOLED ELECTRODE HOLDER (THREADED ADAPTER HEAD)

600 SERIES UNIVERSAL HOLDER (THREADED ADAPTER HEAD)							
Part No. Holder Assy.*	Taper	Head Angle	Barrel Dia. A	Shank Dia B	Shank Length L	Head Assy. H	Barrel Thread Size T
18-6515 18-6535	5 RW	90°	1-1/4	1-1/4	3-1/2	18-7805	1-14
18-6525 18-6545		30°	1-1/4	1-1/4	3-1/2	18-7815	1-14
18-6516 18-6536	6 RW	90°	1-1/4	1-1/4	3-1/2	18-7806	1-14
18-6526 18-6546		30°	1-1/4	1-1/4	3-1/2	18-7816	1-14



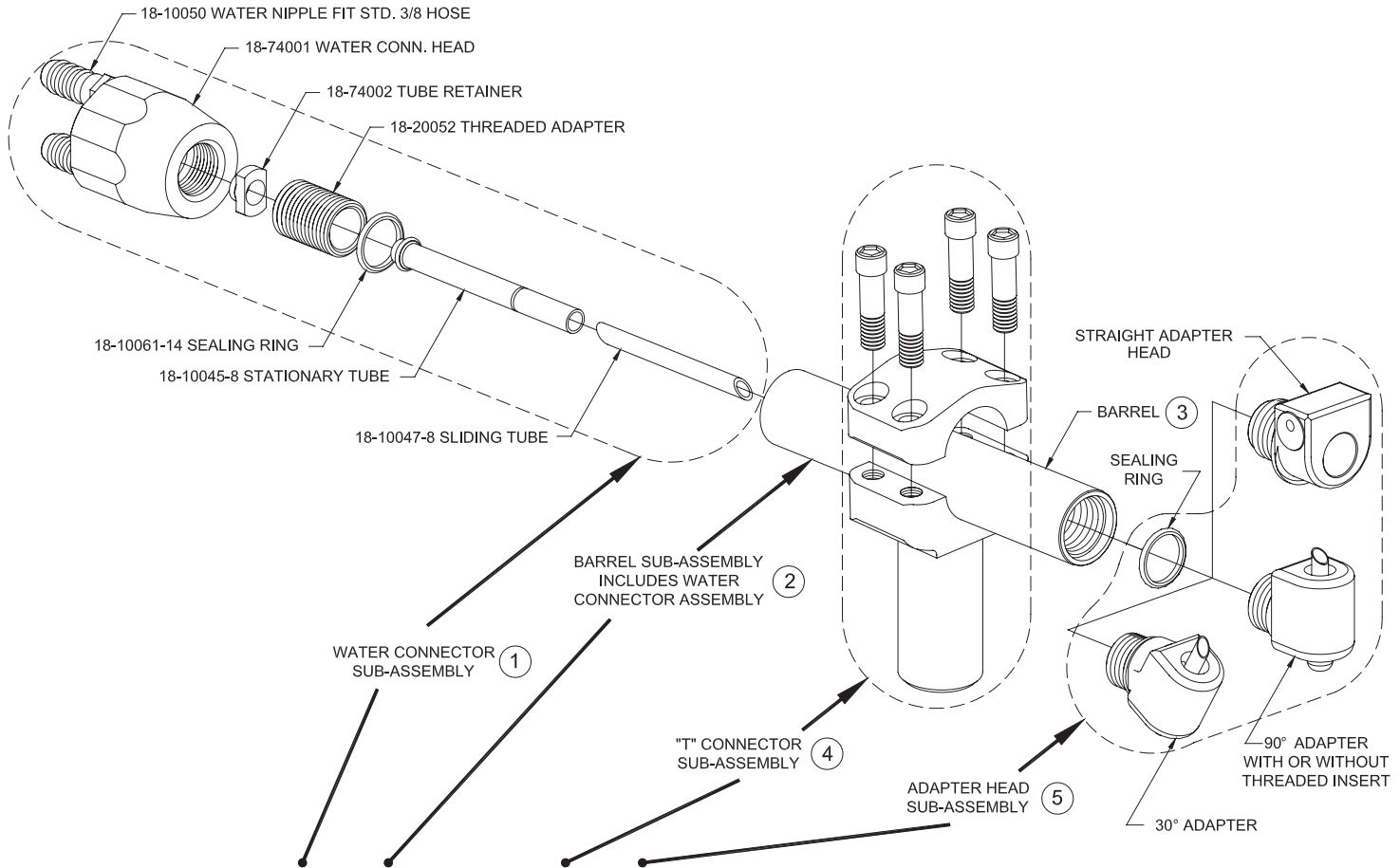
*Standard holders include type "A" water connector, types "B" and "C" available on request

Phone: 800-933-6779

Fax: 205-663-3221

Email: sales@nsrw.com

600 SERIES UNIVERSAL WATER COOLED OFFSET HOLDERS



Part No. Holder Assy.	Taper	Angle Of Head	Water Conn. Assy. 1	Barrel Assy. 2	Barrel 3	"T" Conn. Assy. * 4	Adapter Head Assy.* 5
18-601 18-602	4 RW	90° 30°	18-74000-8	18-701	18-37210-8	18-725	18-764 18-765
18-603 18-604		90° 30°	18-74000-8				18-726
18-605 18-606		90° 30°	18-74000-8	18-702	18-37310-8	18-727	18-764 18-765
18-607 18-608		90° 30°	18-74000-8				18-730
18-611 18-612	5 RW	90° 30°	18-74000-8	18-701	18-37210-8	18-725	18-766 18-767
18-613 18-614		90° 30°	18-74000-8				18-726
18-615 18-616		90° 30°	18-74000-8	18-702	18-37310-8	18-727	18-766 18-767
18-617 18-618		90° 30°	18-74000-8				18-730
18-621 18-622	7 RW	STR. STR.	18-74000-8	18-701	18-37210-8	18-725 18-726	18-768
18-623 18-624		STR. STR.	18-74000-8	18-702	18-37310-8	18-727 18-730	18-768
18-651 18-652		90° 30°	18-74000-8	18-704	18-37510-8	18-727	18-780 18-781
18-657 18-658		90° 30°	18-74000-8				18-730

Part No. Holder Assy.	Taper	Angle Of Head	Water Conn. Assy.* 1	Barrel Assy. 2	Barrel 3	"T" Conn. Assy. * 4	Adapter Head Assy.* 5
18-655 18-656	5 RW	90° 30°	18-74000-8	18-705	18-37610-8	18-728	18-780 18-781
18-653 18-654		90° 30°	18-74000-8				18-729
18-671 18-672		STR. STR.	18-74000-8	18-704 18-705	18-37510-8 18-37610-8	18-727 18-729	18-784
18-673 18-674		STR. STR.	18-74000-8	18-705 18-704	18-37610-8 18-37510-8	18-728 18-730	18-784
18-6515 18-6525	5 RW THD.	90° 30°	18-74000-8	18-704	18-37510-8	18-727	18-7805 18-7815
18-6535 18-6545		90° 30°	18-74000-8	18-705	18-37610-8	18-729	18-7805 18-7815
18-6516 18-6526	6 RW THD.	90° 30°	18-74000-8	18-704	18-37510-8	18-727	18-7806 18-7816
18-6536 18-6546		90° 30°	18-74000-8	18-705	18-37610-8	18-729	18-7806 18-7816
18-661 18-662	7 RW	90° 30°	18-74000-8	18-704	18-37510-8	18-727	18-782 18-783
18-665 18-666		90° 30°	18-74000-8	18-705	18-37610-8	18-728	18-782 18-783
18-663 18-664		90° 30°	18-74000-8				18-729

* See page 46 for adapter head details and page 47 for additional "T" connector information.