

# 500 SERIES PREMIUM (EJECTOR) WATER COOLED OFFSET HOLDERS

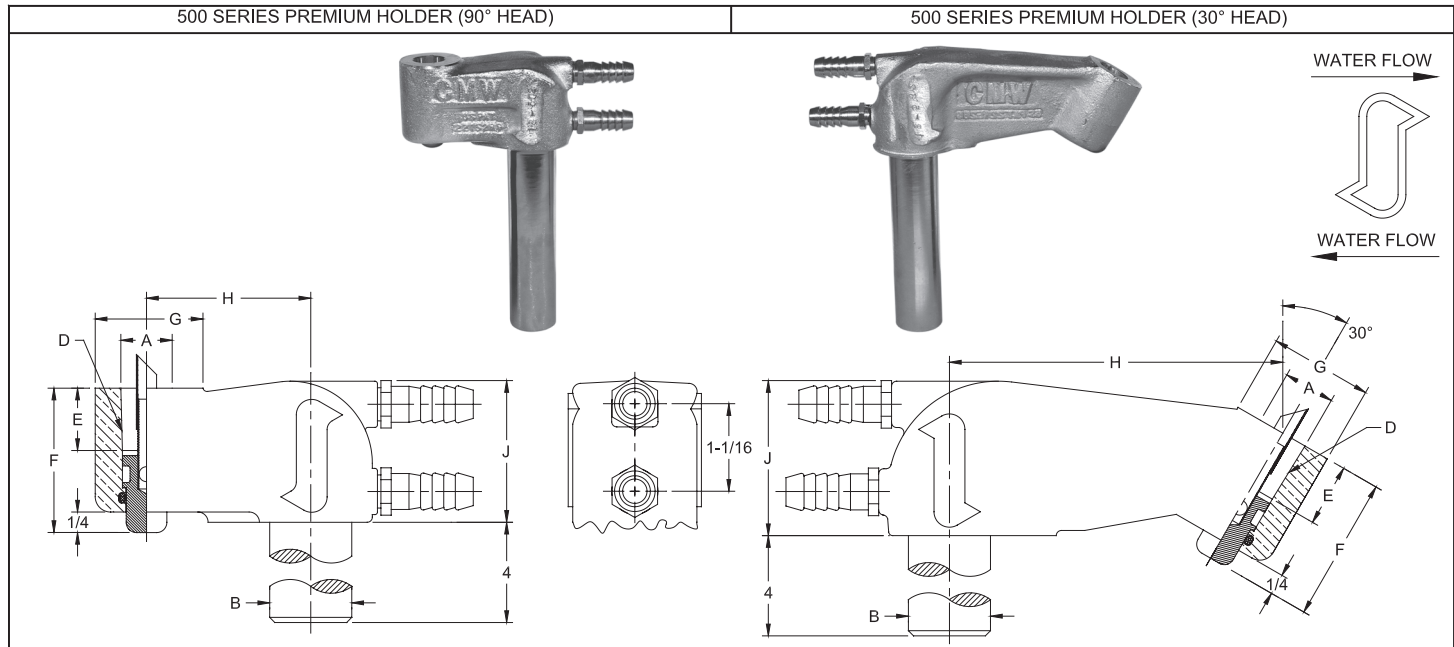


Phone: 800-933-6779

Fax: 205-663-3221

Email: sales@nsrw.com

## 500 SERIES PREMIUM (EJECTOR) WATER COOLED OFFSET HOLDERS



500 SERIES PREMIUM HOLDER (90° HEAD)								
Part No. Holder Assy.	Major Taper Dia. A*	Shank Dia. B*	RW Taper D	Engagement With Electrode E	Head Height F	Head Dia. G	Offset H	Head Thickness J
18-502		1						
18-503	.625	1-1/4	5 RW	3/4	1-13/16	1-1/4	2	1-23/32
18-504		1-1/2						
18-505	.875	1-1/4	7 RW	1-1/8	2-7/32	1-1/2	2	1-23/32
18-506		1-1/2						
18-522		1						
18-523	.625	1-1/4	5 RW	3/4	1-13/16	1-1/4	4	1-7/8
18-524		1-1/2						
18-525	.875	1-1/4	7 RW	1-1/8	2-7/32	1-1/2	4	1-7/8
18-526		1-1/2						

500 SERIES PREMIUM HOLDER (30° HEAD)								
Part No. Holder Assy.	Major Taper Dia. A*	Shank Dia. B*	RW Taper D	Engagement With Electrode E	Head Height F	Head Dia. G	Offset H	Head Thickness J
18-562		1						
18-563	.625	1-1/4	5 RW	3/4	1-13/16	1-5/16	4	1-7/8
18-564		1-1/2						
18-565	.875	1-1/4	7 RW	1-1/8	2-7/32	1-9/16	4	1-7/8
18-566		1-1/2						

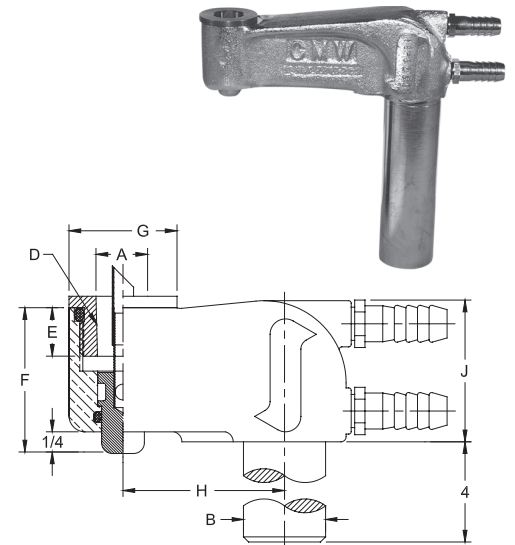
\*Other shank diameters and lengths or tapers available on special order

\*Other shank diameters and lengths or tapers available on special order

## 500 SERIES PREMIUM (EJECTOR) WATER COOLED ELECTRODE HOLDERS WITH THREADED ADAPTERS

500 SERIES PREMIUM HOLDER WITH THREADED ADAPTERS										
Part No. Holder Assy.	Head Angle	Major Taper Dia. A*	Shank Dia. B*	RW Taper D	Engagement With Electrode E	Head Height F	Head Dia. G	Offset H	Head Thickness J	Part No. Threaded Adapter
18-5035	90°	.625	1-1/4	5 RW	3/4	1-13/16	1-1/4	2	1-23/32	18-7875
18-5036		.750		6 RW	7/8	1-15/16				18-7876
18-5045	90°	.625	1-1/2	5 RW	3/4	1-13/16	1-1/4	2	1-23/32	18-7875
18-5046		.750		6 RW	7/8	1-15/16				18-7876
18-5235	90°	.625	1-1/4	5 RW	3/4	1-13/16	1-1/4	4	1-7/8	18-7875
18-5236		.750		6 RW	7/8	1-15/16				18-7876
18-5245	90°	.625	1-1/2	5 RW	3/4	1-13/16	1-1/4	4	1-7/8	18-7875
18-5246		.750		6 RW	7/8	1-15/16				18-7876
18-5635	30°	.625	1-1/4	5 RW	3/4	1-13/16	1-1/4	4	1-7/8	18-7875
18-5636		.750		6 RW	7/8	1-15/16				18-7876
18-5645	30°	.625	1-1/2	5 RW	3/4	1-13/16	1-1/4	4	1-7/8	18-7875
18-5646		.750		6 RW	7/8	1-15/16				18-7876

\*Other shank diameters and lengths or tapers available on special order



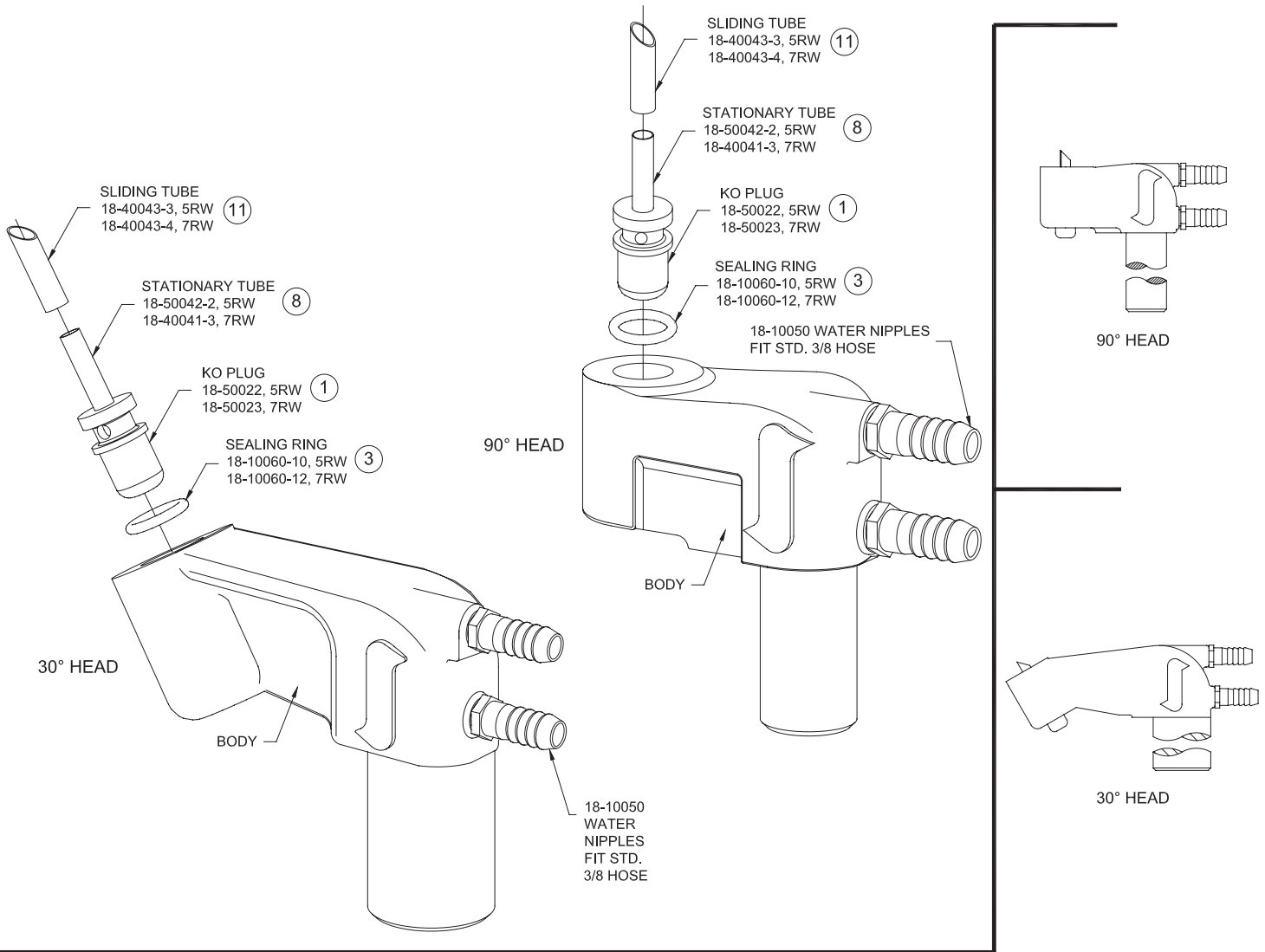
# 500 SERIES PREMIUM (EJECTOR) REPLACEMENT PARTS

Phone: 800-933-6779

Fax: 205-663-3221

Email: sales@nswr.com

## 500 SERIES PREMIUM (EJECTOR) WATER COOLED OFFSET HOLDERS



Part No. Holder Assy.	Taper	Angle Of Head	KO Plug 1	Sealing Ring 3	Stationary Tube 8	Sliding Tube 11	Shank Dia.
18-502							1
18-503	5 RW	90°	18-50022	18-10060-10	18-50042-2	18-40043-3	1-1/4
18-504							1-1/2
18-505	7 RW	90°	18-50023	18-10060-12	18-40041-3	18-40043-4	1-1/4
18-506							1-1/2
18-522							1
18-523	5 RW	90°	18-50022	18-10060-10	18-50042-2	18-40043-3	1-1/4
18-524							1-1/2
18-525	7 RW	90°	18-50023	18-10060-12	18-40041-3	18-40043-4	1-1/4
18-526							1-1/2
18-562							1
18-563	5 RW	30°	18-50022	18-10060-10	18-50042-2	18-40043-3	1-1/4
18-564							1-1/2
18-565	7 RW	30°	18-50023	18-10060-12	18-40041-3	18-40043-4	1-1/4
18-566							1-1/2

# 500 SERIES THREADED PREMIUM (EJECTOR) REPLACEMENT PARTS

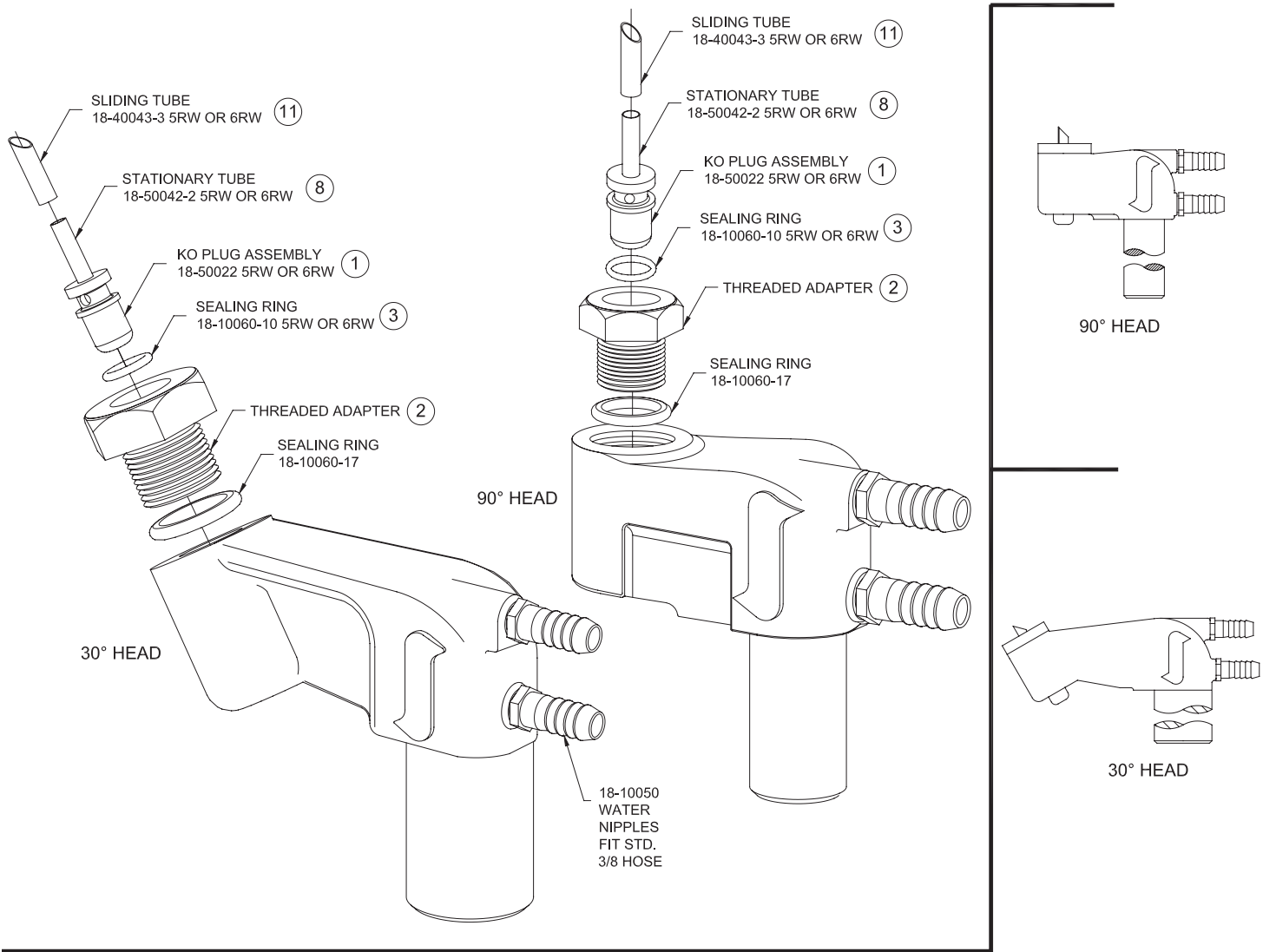


Phone: 800-933-6779

Fax: 205-663-3221

Email: sales@nsrw.com

## 500 SERIES PREMIUM (EJECTOR) WATER COOLED OFFSET HOLDERS WITH THREADED ADAPTER



Part No. Holder Assy.	Taper	Angle Of Head	KO Plug ** 1	Sealing Ring 3	Stationary Tube 8	Sliding Tube 11	Shank Dia.	Threaded Adapter* 2
18-5035 18-5036	5 RW 6 RW	90°	18-50022	18-10060-10	18-50042-2	18-40043-3	1-1/4	18-7875 18-7876
18-5045 18-5046	5 RW 6 RW	90°	18-50022	18-10060-10	18-50042-2	18-40043-3	1-1/2	18-7875 18-7876
18-5235 18-5236	5 RW 6 RW	90°	18-50022	18-10060-10	18-50042-2	18-40043-3	1-1/4	18-7875 18-7876
18-5245 18-5246	5 RW 6 RW	90°	18-50022	18-10060-10	18-50042-2	18-40043-3	1-1/2	18-7875 18-7876
18-5635 18-5636	5 RW 6 RW	30°	18-50022	18-10060-10	18-50042-2	18-40043-3	1-1/4	18-7875 18-7876
18-5645 18-5646	5 RW 6 RW	30°	18-50022	18-10060-10	18-50042-2	18-40043-3	1-1/2	18-7875 18-7876

\* Threaded adapter includes sealing ring 18-10060-17

\*\* KO Plug assembly includes stationary tube 18-50042-2