

# 400 SERIES OFFSET (NON-EJECTOR) WATER COOLED ELECTRODE HOLDERS

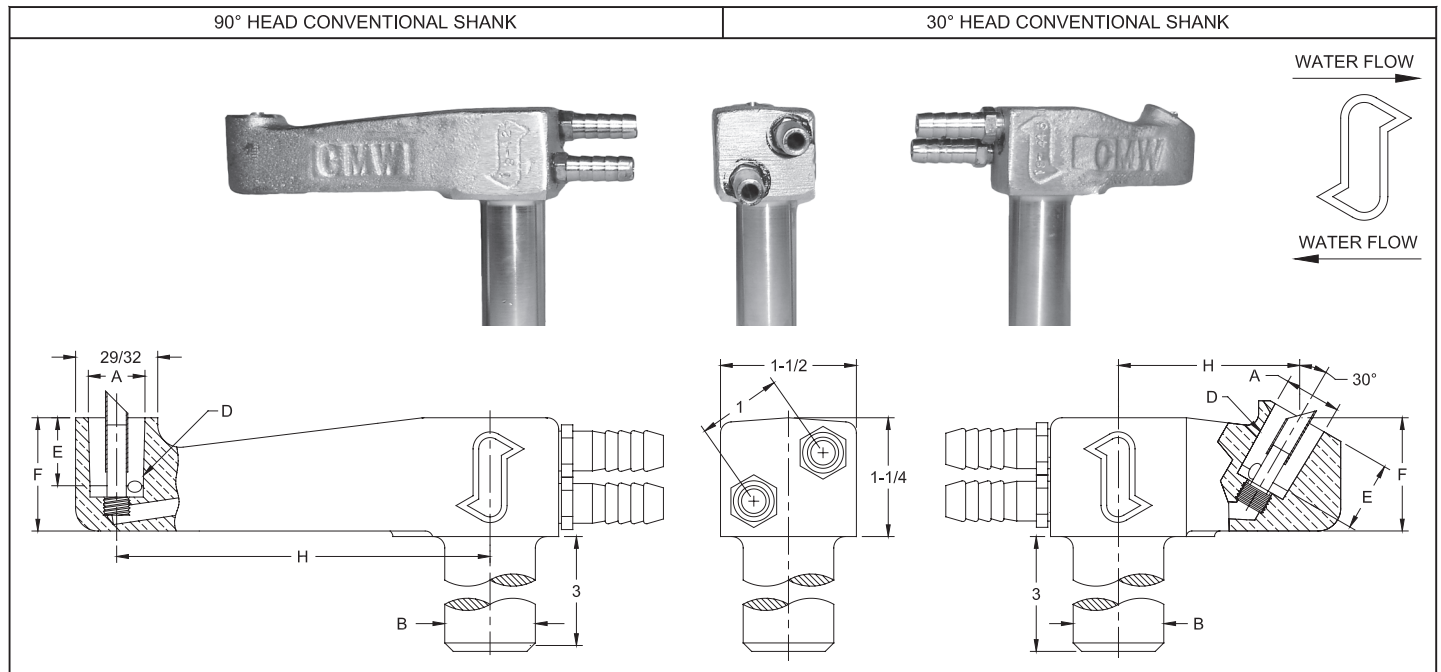


Phone: 800-933-6779

Fax: 205-663-3221

Email: sales@nsrw.com

## 400 SERIES OFFSET (NON-EJECTOR) WATER COOLED ELECTRODE HOLDERS



400 SERIES OFFSET HOLDER (CONVENTIONAL SHANK 90°)

Part No. Holder Assy.	Major Taper Dia. A*	Shank Dia. B*	RW Taper D	Engagement With Electrode E	Head Height F	Offset H
18-402	.463	7/8	4 RW	1/2	1-1/16	2
18-403		1				
18-404		1-1/4				
18-407	.625	7/8	5 RW	3/4	1-1/4	2
18-408		1				
18-409		1-1/4				
18-422	.463	7/8	4 RW	1/2	1-1/16	4
18-423		1				
18-424		1-1/4				
18-428	.625	1	5 RW	3/4	1-1/4	4
18-429		1-1/4				

\*Other shank diameters and lengths or tapers available on special order

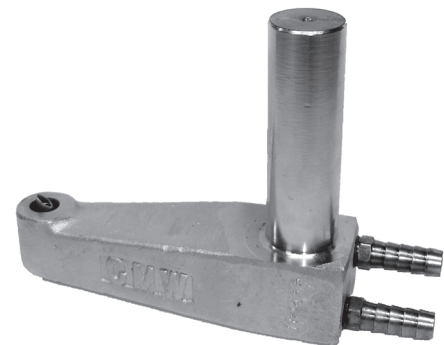
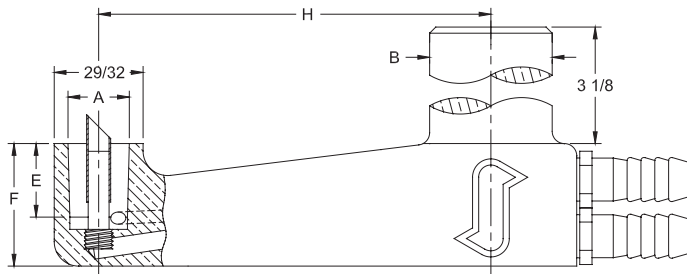
400 SERIES OFFSET HOLDER (CONVENTIONAL SHANK 30°)

Part No. Holder Assy.	Major Taper Dia. A*	Shank Dia. B*	RW Taper D	Engagement With Electrode E	Head Height F	Offset H
18-442	.463	7/8	4 RW	1/2	1	2
18-443		1				
18-444		1-1/4				
18-448	.625	1	5 RW	3/4	1-1/4	2
18-449		1-1/4				
18-462	.463	7/8	4 RW	1/2	1	4
18-463		1				
18-464		1-1/4				
18-468	.625	1	5 RW	3/4	1-1/4	4
18-469		1-1/4				

\*Other shank diameters and lengths or tapers available on special order

## 400 SERIES OFFSET (NON-EJECTOR) WATER COOLED ELECTRODE HOLDERS

90° HEAD REVERSE SHANK

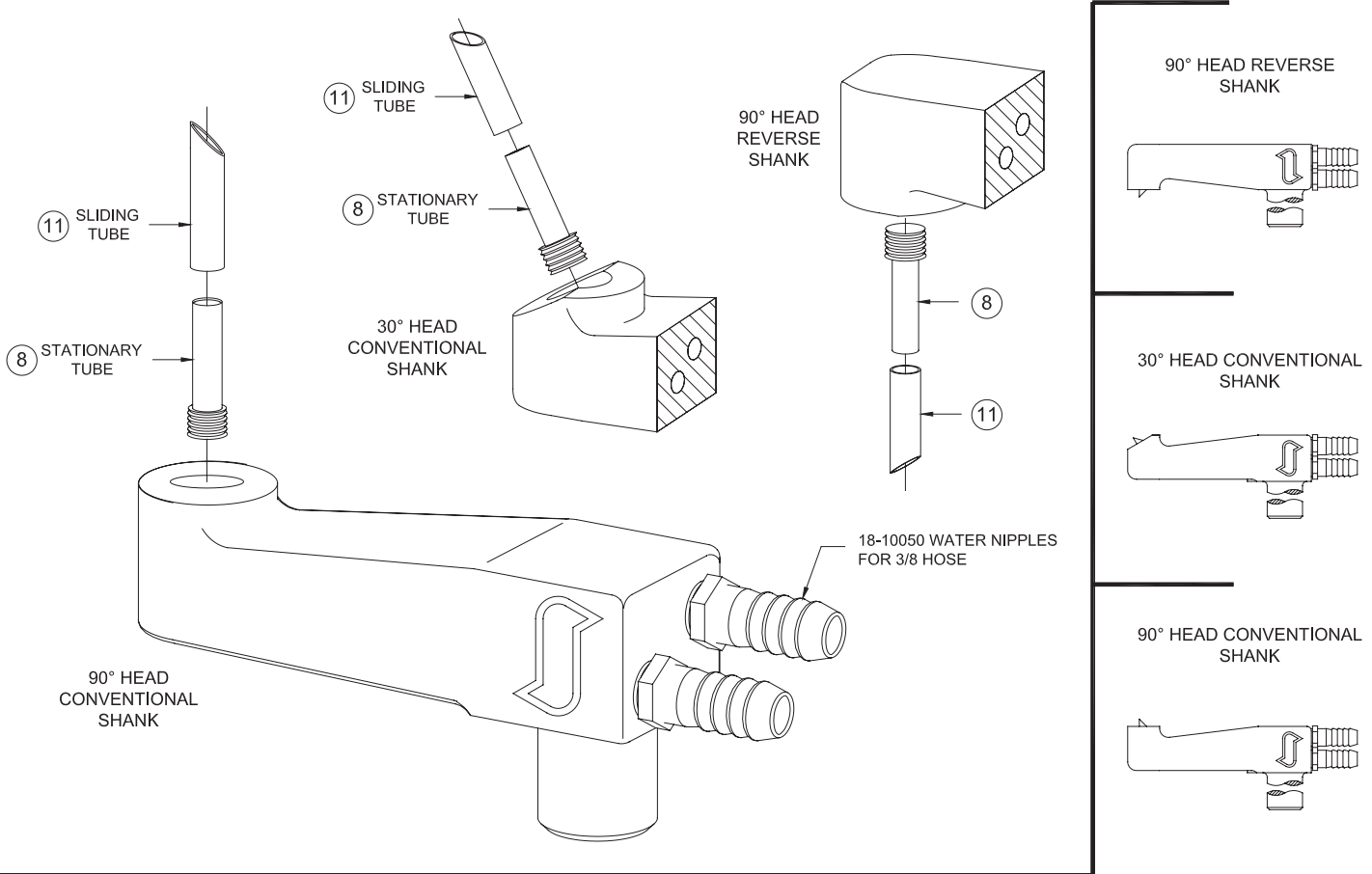


400 SERIES OFFSET HOLDER (REVERSE SHANK 90°)

Part No. Holder Assy.	Major Taper Dia. A*	Shank Dia. B*	RW Taper D	Engagement With Electrode E	Head Height F	Offset H
18-433	.463	1	4 RW	1/2	1-1/16	4
18-439	.625	1-1/4	5 RW	3/4	1-1/4	4

\*Other shank diameters and lengths or tapers available on special order

## 400 SERIES OFFSET (NON-EJECTOR) REPLACEMENT PARTS



Part No. Holder Assy.	Taper	Angle Of Head	Stationary Tube 8	Sliding Tube 11	Shank Dia.
18-402	4 RW	90°	18-40041-1	18-40043-1	7/8
18-403					1
18-404					1-1/4
18-407	5 RW	90°	18-40041-1	18-40043-2	7/8
18-408					1
18-409					1-1/4
18-422	4 RW	90°	18-40041-1	18-40043-1	7/8
18-423					1
18-424					1-1/4
18-433*					1
18-428	5 RW	90°	18-40041-1	18-40043-2	1
18-429					1-1/4
18-439*					1-1/4
18-442	4 RW	30°	18-40041-1	18-40043-1	7/8
18-443					1
18-444					1-1/4
18-448	5 RW	30°	18-40041-1	18-40043-2	1
18-449					1-1/4
18-462	4 RW	30°	18-40041-1	18-40043-1	7/8
18-463					1
18-464					1-1/4
18-468	5 RW	30°	18-40041-1	18-40043-2	1
18-469					1-1/4

\*Reverse shank