

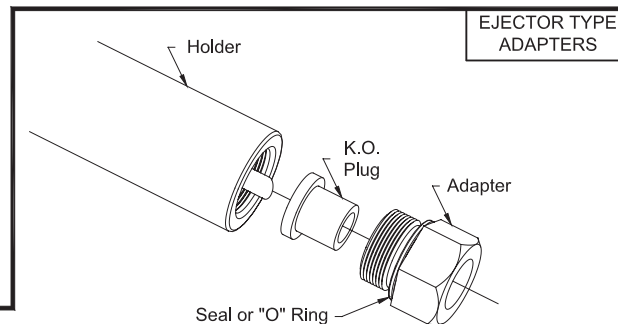
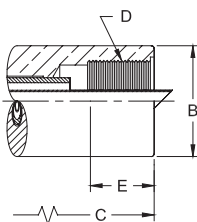
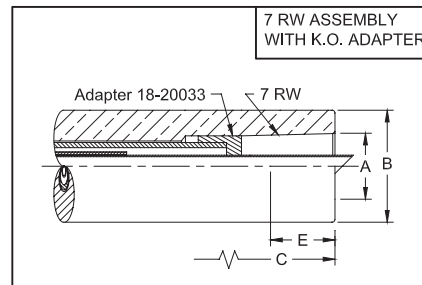
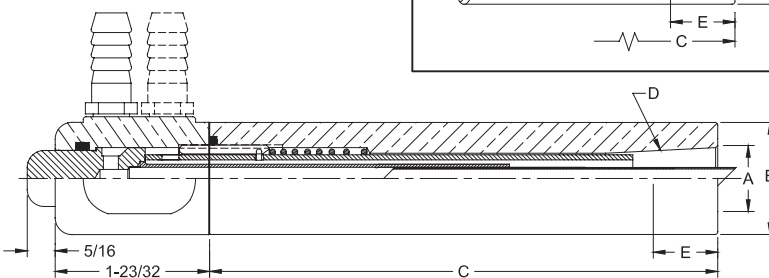
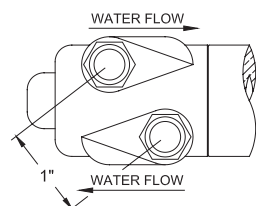
## 200 SERIES (EJECTOR) WATER COOLED ELECTRODE HOLDER

200 SERIES TAPERED HOLDER					
Part No. Holder Assy.	Major Taper Dia. A	Barrel Dia. B	Barrel Length C	RW Taper D	Engagement With Std. Elect. E
18-201	.463	3/4	3	4 RW	1/2
18-202		7/8			
18-203		1			
18-204		1-1/4			
18-206	.625	1	5 RW	3/4	3/4
18-207		1-1/4			
18-208		1-1/2			
18-211	.463	3/4	8	4 RW	1/2
18-212		7/8			
18-213		1			
18-214		1-1/4			
18-216	.625	1	5 RW	3/4	3/4
18-217		1-1/4			
18-218		1-1/2			
18-219*	.875	1-1/4	7 RW	1-1/8	1-1/8
18-220*		1-1/2			
18-231	.463	3/4	12	4 RW	1/2
18-232		7/8			
18-233		1			
18-234		1-1/4			
18-236	.625	1	5 RW	3/4	3/4
18-237		1-1/4			
18-238		1-1/2			
18-236-18	.625	1	18	5 RW	3/4
18-237-18		1-1/4			
18-238-18		1-1/2			

\*Must use knockout adapter 18-20033

200 SERIES THREADED HOLDER				
Part No. Holder Assy.	Barrel Dia. B	Barrel Length C	Thread Size D	Engagement With Std. Elect. E
18-272	1	8	7/8-14	9/16
18-273	1-1/4			
18-274	1-1/2			
18-275	1-1/4	1-14	1-14	3/4
18-276	1-1/2			

200 Series Threaded Holder can use Male Threaded to Female Taper Universal Adapters on page 46.

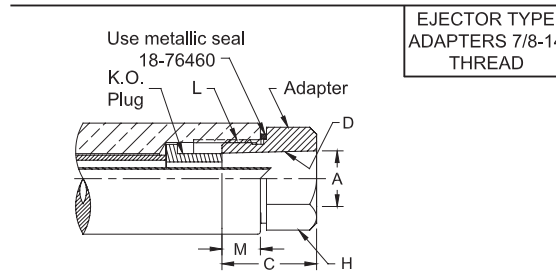


### EJECTOR TYPE ADAPTERS

EJECTOR TYPE ADAPTERS 7/8-14 THREAD								
Adapter Part No.	Male Thd. Size L	Female Taper		Length Under Hd. M	Hex. Over Flats H	Overall Length C	Sealing Ring Part No.	K.O. Plug Part No.
		Size D	Major Dia. A					
18-7702	7/8-14	4 RW	.463	5/8	1	13/16	18-76460	18-78501
18-7712	7/8-14	5 RW	.625	1/2	1	1-1/16	18-76460	18-7712-3

Use with Threaded Ejector Holder to make Replaceable Taper Holders

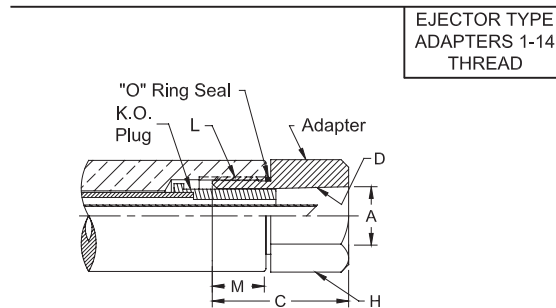
Part No.	Female Thd. Size	Barrel Dia.
18-272	7/8-14	1
18-273	7/8-14	1-1/4
18-274	7/8-14	1-1/2



EJECTOR TYPE ADAPTERS 1-14 THREAD								
Adapter Part No.	Male Thd. Size L	Female Taper		Length Under Hd. M	Hex. Over Flats H	Overall Length C	Sealing Ring Part No.	K.O. Plug Part No.
		Size D	Major Dia. A					
18-7852	1-14	4 RW	.463	9/16	1-1/4	13/16	18-10060-17	18-78501
18-7862	1-14	5 RW	.625	7/16	1-1/4	1-1/16	18-10060-17	18-7712-3
18-7864	1-14	6 RW	.750	3/4	1-1/4	1-3/4	18-10060-17	18-78650
18-7872	1-14	7 RW	.875	3/4	1-1/4	2-1/8	18-10060-17	18-78701

Use with Threaded Ejector Holder to make Replaceable Taper Holders

Part No.	Female Thd. Size	Barrel Dia.
18-275	1-14	1-1/4
18-276	1-14	1-1/2



# 200 SERIES (EJECTOR) REPLACEMENT PARTS

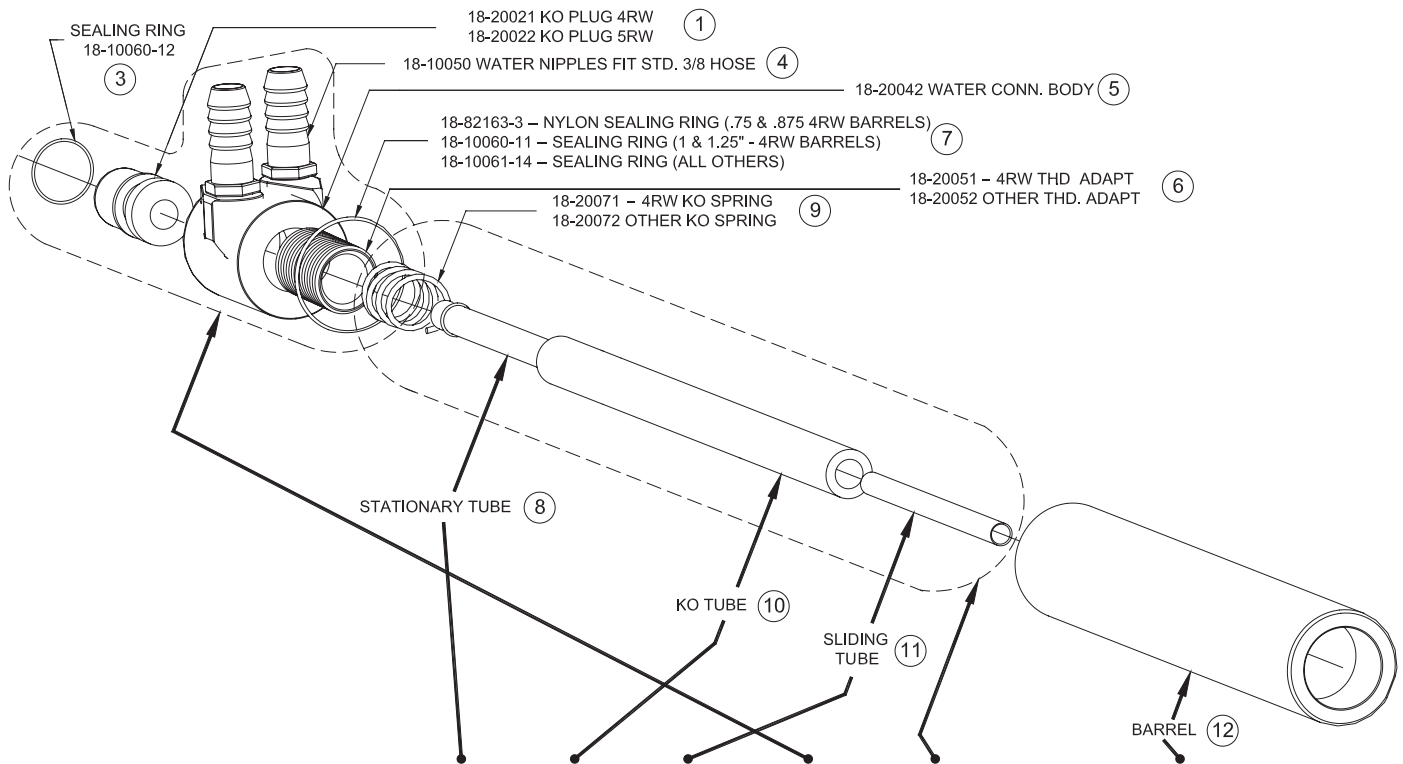


Phone: 800-933-6779

Fax: 205-663-3221

Email: sales@nsrw.com

## 200 SERIES (EJECTOR) WATER COOLED ELECTRODE HOLDER



Part No. Holder Assy.	Thread Or Taper	Barrel Length	Stationary Tube	K.O. Tube	Sliding Tube	Water Conn. HD. Sub-Assy. Include Parts: 1 3 4 5 6 7	K.O. Tube Sub-Assy Include Parts: 8 9 10 11	Barrel Diameter	Barrel
18-201 18-202 18-203 18-204	4 RW	3	18-10044-3	18-20031-3	18-10046-3	18-20091	18-20095-3	3/4 7/8 1 1-1/4	18-11110-3 18-11210-3 18-11310-3 18-11410-3
18-206 18-207 18-208	5 RW	3	18-10045-3	18-20032-3	18-10047-3	18-20092	18-20096-3	1 1-1/4 1-1/2	18-11610-3 18-11210-3 18-11810-3
18-211 18-212 18-213 18-214	4 RW	8	18-10044-8	18-20031-8	18-10046-8	18-20091	18-20095-8	3/4 7/8 1 1-1/4	18-11110-8 18-11210-8 18-11310-8 18-11410-8
18-216 18-217 18-218	5 RW	8	18-10045-8	18-20032-8	18-10047-8	18-20092	18-20096-8	1 1-1/4 1-1/2	18-11610-8 18-11710-8 18-11810-8
18-219* 18-220*	7 RW	8	18-10045-8	18-20032-58 & 18-20033*	18-10047-8	18-20092	18-20096-58	1-1/4 1-1/2	18-11910-8 18-12010-8
18-231 18-232 18-233 18-234	4 RW	12	18-10044-12	18-20031-12	18-10046-8	18-20091	18-20095-12	3/4 7/8 1 1-1/4	18-11110-12 18-11210-12 18-11310-12 18-11410-12
18-236 18-237 18-238	5 RW	12	18-10045-12	18-20032-12	18-10047-8	18-20092	18-20096-12	1 1-1/4 1-1/2	18-11610-12 18-11710-12 18-11810-12
18-236-18 18-237-18 18-238-18	5 RW	18	18-10045-12	18-20032-18	18-10047-29	18-20092	18-20096-18	1 1-1/4 1-1/2	18-11610-18 18-11710-18 18-11810-18
18-272 18-273 18-274	7/8-14	8	18-10045-8	18-20032-8	18-10047-8	18-20092	18-20096-8	1 1-1/4 1-1/2	18-17210-8 18-17310-8 18-17410-8
18-275 18-276	1-14	8	18-10045-8	18-20032-8	18-10047-8	18-20092	18-20096-8	1-1/4 1-1/2	18-17510-8 18-17610-8

\*Must use knockout adapter 18-20033