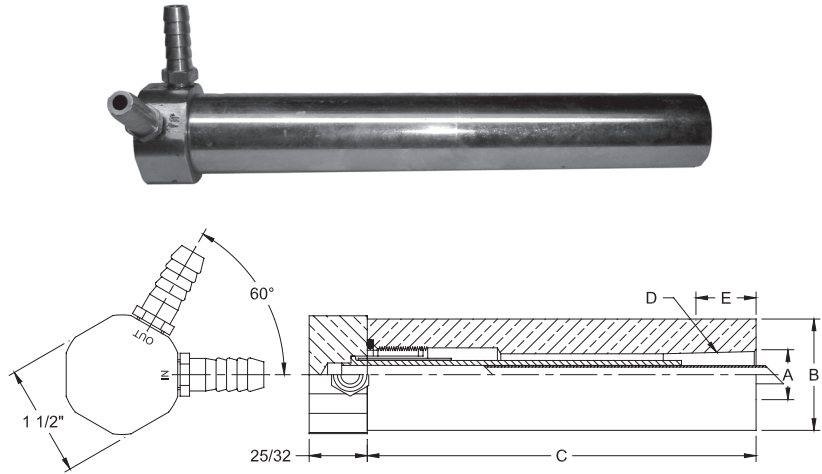
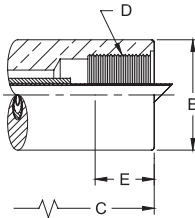


100 SERIES (NON-EJECTOR) WATER COOLED ELECTRODE HOLDER

100 SERIES TAPERED HOLDER					
Part No. Holder Assy.	Major Taper Dia. A	Barrel Dia. B	Barrel Length C	RW Taper D	Engagement With Std. Elect. E
18-101 18-102 18-103 18-104	.463	3/4 7/8 1 1-1/4	3	4 RW	1/2
18-106 18-107 18-108	.625	1 1-1/4 1-1/2		5 RW	3/4
18-111 18-112 18-113 18-114	.463	3/4 7/8 1 1-1/4	8	4 RW	1/2
18-116 18-117 18-118	.625	1 1-1/4 1-1/2		5 RW	3/4
18-119 18-120	.875	1-1/4 1-1/2		7 RW	1-1/8
18-131 18-132 18-133 18-134	.463	3/4 7/8 1 1-1/4	12	4 RW	1/2
18-136 18-137 18-138	.625	1 1-1/4 1-1/2		5 RW	3/4



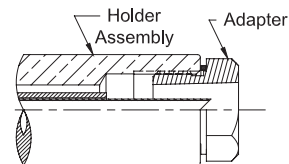
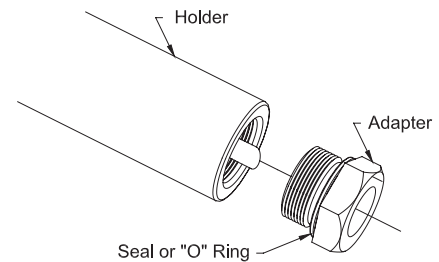
100 SERIES THREADED HOLDER				
Part No. Holder Assy.	Barrel Dia. B	Barrel Length C	Thread Size D	Engagement With Std. Electrode E
18-169 18-170 18-171	1 1-1/4 1-1/2	8	5/8-18	9/16
18-172 18-173 18-174	1 1-1/4 1-1/2		7/8-14	9/16
18-175 18-176	1-1/4 1-1/2		1-14	3/4



See available adapters in table below.

ADAPTERS USED WITH THREADED HOLDERS

100 SERIES THREADED HOLDER ADAPTERS					
Holder Assembly No.		Adapter Part No.	Page No.	Attachment Description	
18-169 18-170 18-171	Use with	18-750	31	4 RW Female	
		18-751	31	5 RW Female	
		18-752	31	5/8-18 M. Thread	
		18-811	48	#1 Size Nu-Twist®	
18-172 18-173 18-174	Use with	18-770	31	4 RW Female	May also be used with universal Adapters having 7/8-14 Male thread See page 46
		18-771	31	5 RW Female	
18-175 18-176	Use with	18-785	31	4 RW Female	May also be used with universal Adapters having 1-14 Male thread See page 46
		18-786	31	5 RW Female	
		18-7863	31	6 RW Female	
		18-787	31	7 RW Female	
		18-812	48	#2 Size Nu-Twist®	



100 SERIES (NON-EJECTOR) REPLACEMENT PARTS

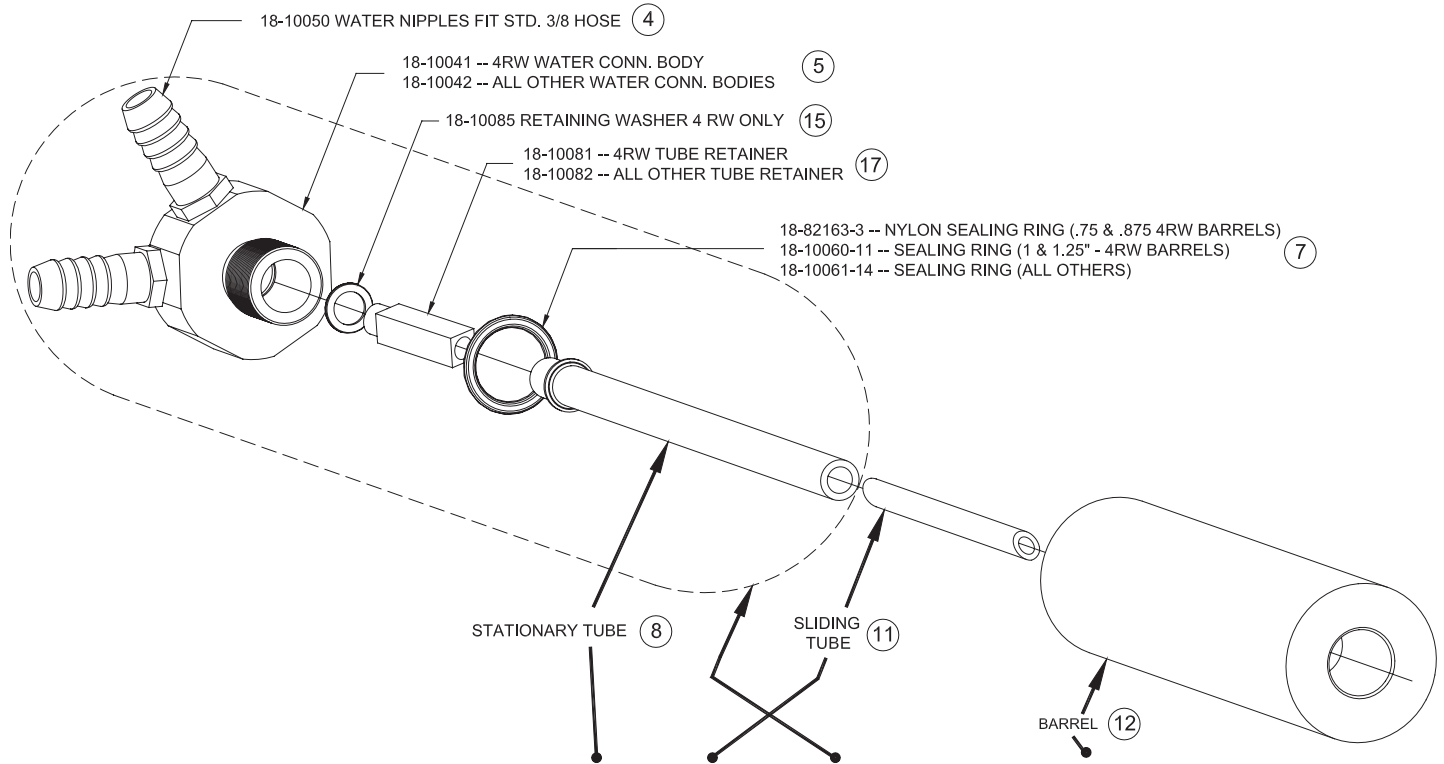


Phone: 800-933-6779

Fax: 205-663-3221

Email: sales@nsrw.com

100 SERIES (NON-EJECTOR) WATER COOLED ELECTRODE HOLDER



Part No. Holder Assy.	Thread Or Taper	Barrel Length	Stationary Tube 8	Sliding Tube 11	Water Conn. HD. Sub-Assy. Include Parts: 4 5 7 8 15 17	Barrel Diameter	Barrel 12
18-101 18-102 18-103 18-104	4 RW	3	18-10044-3	18-10046-3	18-10091-3	3/4 7/8 1 1-1/4	18-11110-3 18-11210-3 18-11310-3 18-11410-3
18-106 18-107 18-108	5 RW	3	18-10045-3	18-10047-3	18-10092-3	1 1-1/4 1-1/2	18-11610-3 18-11710-3 18-11810-3
18-111 18-112 18-113 18-114	4 RW	8	18-10044-8	18-10046-8	18-10091-8	3/4 7/8 1 1-1/4	18-11110-8 18-11210-8 18-11310-8 18-11410-8
18-116 18-117 18-118	5 RW	8	18-10045-8	18-10047-8	18-10092-8	1 1-1/4 1-1/2	18-11610-8 18-11710-8 18-11810-8
18-119 18-120	7 RW	8	18-10045-8	18-10047-8	18-10092-8	1-1/4 1-1/2	18-11910-8 18-12010-8
18-131 18-132 18-133 18-134	4 RW	12	18-10044-12	18-10046-8	18-10091-12	3/4 7/8 1 1-1/4	18-11110-12 18-11210-12 18-11310-12 18-11410-12
18-136 18-137 18-138	5 RW	12	18-10045-12	18-10047-8	18-10092-12	1 1-1/4 1-1/2	18-11610-12 18-11710-12 18-11810-12
18-169 18-170 18-171	5/8-18	8	18-10045-8	18-10047-8	18-10092-8	1 1-1/4 1-1/2	18-16910-8 18-17010-8 18-17110-8
18-172 18-173 18-174	7/8-14	8	18-10045-8	18-10047-8	18-10092-8	1 1-1/4 1-1/2	18-17210-8 18-17310-8 18-17410-8
18-175 18-176	1-14	8	18-10045-8	18-10047-8	18-10092-8	1-1/4 1-1/2	18-17510-8 18-17610-8